

# AMG PASSIVE IP EXTENDER OVER COAX



## Commercial Ethernet Solutions

The AMG1211 and AMG1241 are low cost solutions to allow extension of IP signals over existing Coax cable.



[ AMG1211 & AMG1241 ]

### OVERVIEW

AMG1211 is a low cost and easy solution which allows you the use of existing coax cable to send IP camera signals back to the server or NVR.

Used in pairs with existing RG59 cable the AMG1211 does not require any external power source in order for it to work. Data rates are typically up to 10Mbps, which is more than adequate for most megapixel cameras available on the market today.

AMG1211 can also be used on installations that require a cable run of more than 100 metres when used on an RG59 type video cable

The AMG1241 is a low cost 4-port Ethernet Switch designed to work with the AMG1211. Up to four AMG1211's can be connected with standard video BNC connectors. This unit can then conveniently connect to an NVR or Hybrid DVR with one 10/100 Base-Tx RJ45 connector.

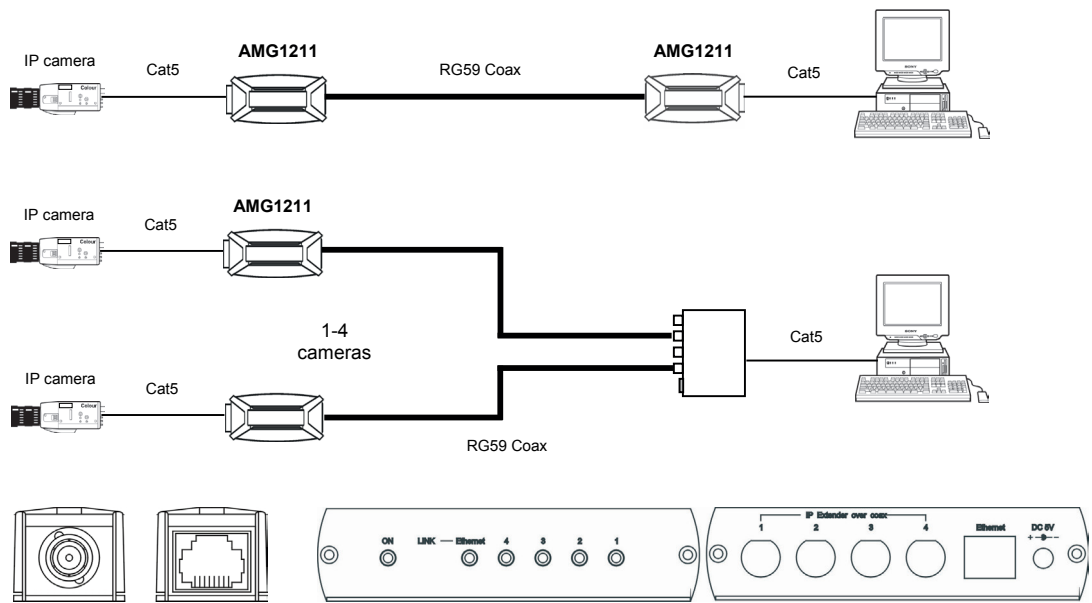
The AMG1241 can be supplied separately or as a convenient kit (AMG1242) which comes complete with four passive transmitters, 4 port switch and power supply.

### FEATURES

- Send IP camera signal over existing coaxial cable
- Ideal for low cost upgrade of traditional analogue camera to IP
- Passive, no power required
- No need to replace existing cabling
- Extends beyond the 100 metre limit imposed by Cat5 IP standard
- Exceeds 802.3 10BaseT NEXT specification, isolating the receiver from the transmitted signal
- Transmission up to 200 meters (Max).

# Specifications.

| AMG1211.   |  | AMG1211.          |                                      |
|------------|--|-------------------|--------------------------------------|
| Connector  | BNC Female Connector to RJ45 Jack                        | Speed             | 10Base-T and 100Base-TX              |
| Speed      | 10Mbps   | Connector         | 4x BNC, 1x RJ45                      |
| Impedance  | 50Ω to dual 100Ω or 75Ω to dual 100Ω or 93Ω to dual 100Ω | Power Supply      | 5V <sub>DC</sub> , 1A (PSU supplied) |
| Crosstalk  | >30 dB   | Power Consumption | 500mA                                |
| Link Cable | Coax Cable (RG59)  | Operating Temp.   | -10°C - +45°C                        |
| Dimensions | 69 × 25 × 22 mm  | Storage Temp.     | -30°C to +70°C                       |
|            |  | Dimensions        | 125 × 121 × 30 mm                    |
|            |  | Weight            | 400g                                 |
|            |  | Material          | Metal                                |



## Part Numbers.

|         |  |
|---------|--|
| AMG1211 | Passive IP Extender over Coax (2 pcs)  |
| AMG1241 | Passive 4 Coax port + 1 Ethernet port Switch Kit (PSU included)                        |
| AMG1242 | Passive 4x AMG1211 + 1x AMG1241, 4 Coax port 1 Ethernet port Switch Kit (PSU included) |

## Recommended PSUs.

PSU included for AMG1241

## Notes.

AMG1241 only works with AMG1211