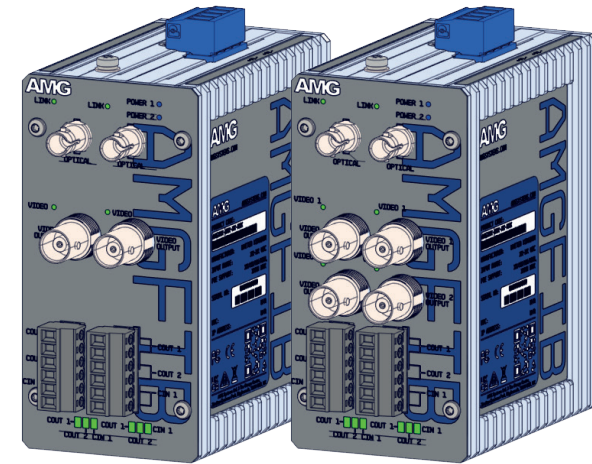




SCAN ME



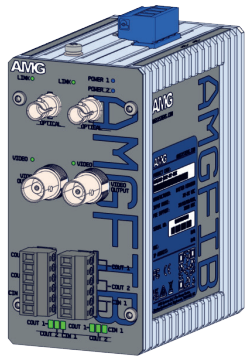
THIS SECTION IS
INTENTIONALLY LEFT BLANK



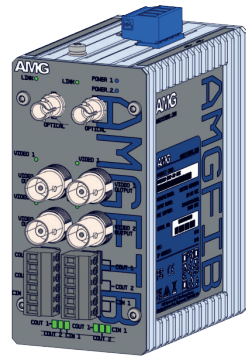
AMGFIB-1/2V-3CC-D Series Dual Receiver - Industrial Video & Contact Closure

Installation Manual - Hardware

/ AVAILABLE MODELS

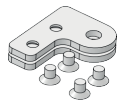


AMGFIB-1VR-3CC-M1A-D
AMGFIB-1VR-3CC-S1A-D

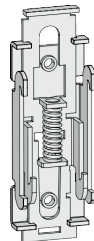


AMGFIB-2VR-3CC-M1B-D
AMGFIB-2VR-3CC-S1B-D

/ INCLUDED ACCESSORIES

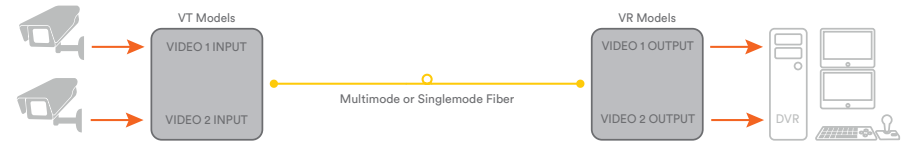


2 x Wall Mounting Brackets



DIN Rail Bracket

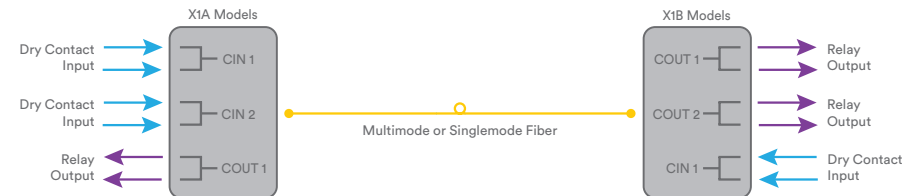
/ VIDEO CONNECTIONS



Video Specifications.

Video Channels	1 or 2 (depending on the model ordered)
Compression	None, Uncompressed
In/Out Impedance	75Ω (Unbalanced)
Video Input Level	>500mV pk-pk
Video Output Level	1V pk-pk
Bandwidth	30MHz (720p), 60MHz (1080p), 150MHz (1960p)
Video Format	CVBS (PAL/NTSC/SECAM), SD, HD, 2MP, 3MP, 4MP, 5MP
Signal To Noise	>60dB (Weighted 8-Bit)

/ CONTACT CLOSURE CONNECTIONS



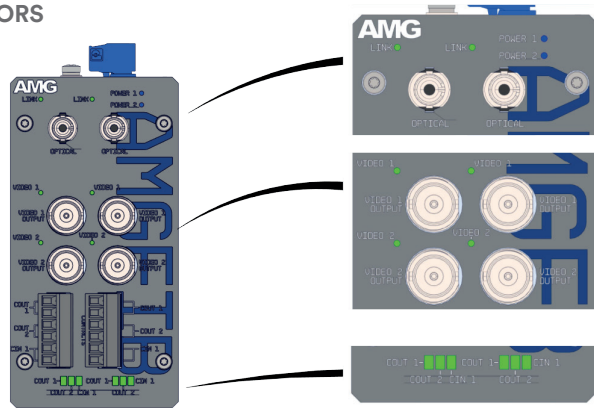
Contact Closure Specifications.

Contact Channels	2x Simplex In A to B Direction 1x Simplex In B to A Direction
Inputs	Dry
Outputs	Form A Relays
Output Rating	30V _{DC} @ 1A Max 240V _{AC} @ 0.25A Max



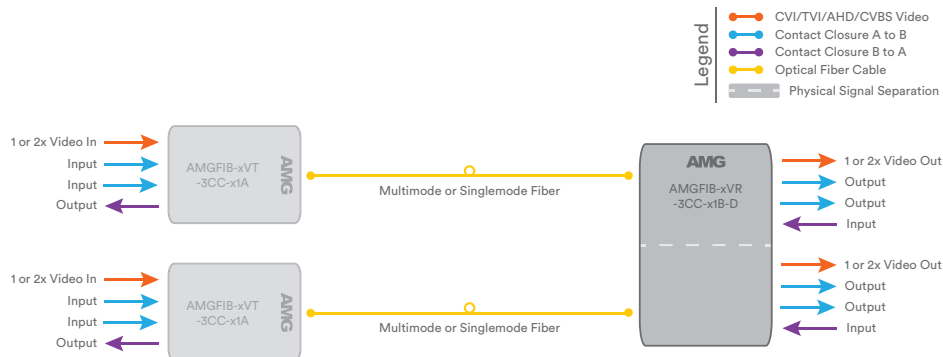
Warning
Applying a voltage to the Dry Contact
Inputs will damage the unit

/ LED INDICATORS



LED	Colour	Description
POWER 1	Blue	Power 1 Active
POWER 2	Blue	Power 2 Active
LINK	Off	No Optical Link
	Green	Good Optical Link
VIDEO 1 VIDEO 2	Off	No Video Signal
	Green	Good Video Signal
CIN1 CIN2	Off	Contact Input Open
	Green	Contact Input Closed
COU1	Off	Relay Output Open
	Green	Relay Output Closed

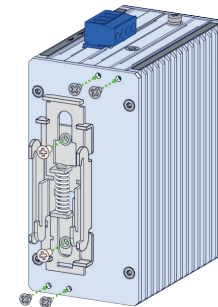
/ LINK TOPOLOGY



/ DIN RAIL MOUNT INSTALLATION

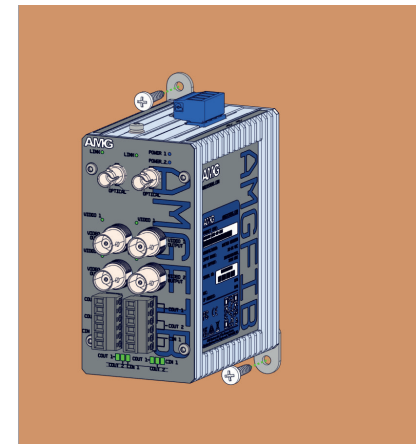
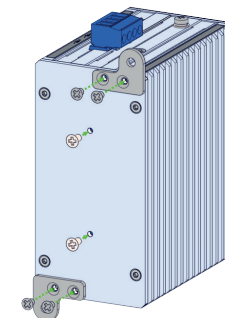


/ SURFACE/WALL MOUNT INSTALLATION



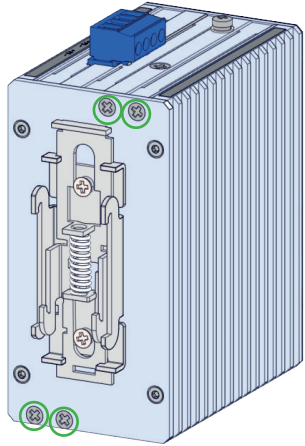
① Remove the DIN rail clip by unscrewing the two fixing screws as shown.

② Attach the included wall mount brackets with the provided 4 x M3 screws as shown.

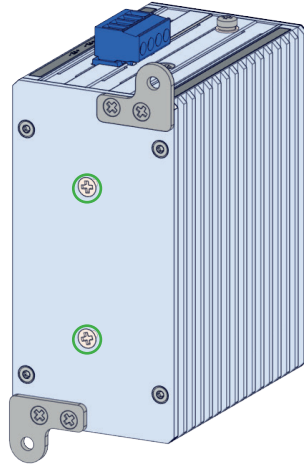


③ Fix the unit to the surface using two appropriate screws (screws not provided)

/ IP RATING



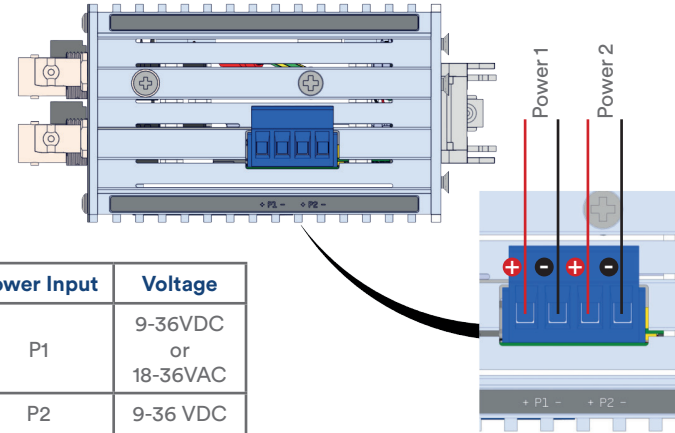
To maintain the units IP40 rating any screw holes that are not used should still have their screws installed as shown in green below.



/ POWER



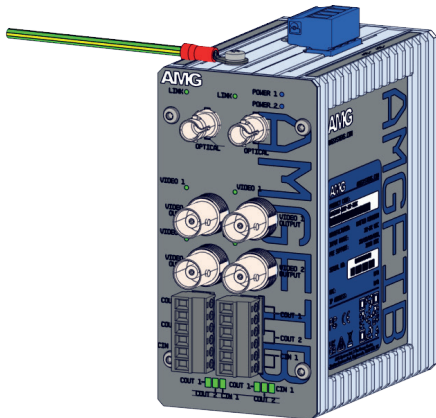
Warning
Do not exceed the rated voltage
Observe correct voltage polarity



Power Input	Voltage
P1	9-36VDC or 18-36VAC
P2	9-36 VDC

Power	3.5W Max
--------------	----------

/ EARTH PROTECTION



To provide correct protection from ESD and Surge events ensure that the unit is correctly earthed using the provided earth connection point in accordance with local electrical codes & standards. (cable not provided)

/ INTERFACE CONNECTIONS

- ① Insert the optical patch cable into the optical connector.
- ② Connect BNC video cable(s) to the one or two BNC connectors (depending on model).
- ③ Connect cables to the 3x contact closure channels as required.

