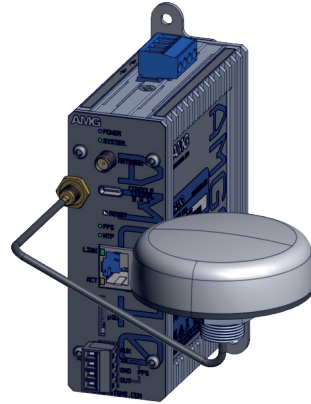


/ INTERFACE CONNECTIONS

- ① Connect the antenna to the SMA connector.
- ② Insert the Cat5/6 cable for the network into the RJ45 port.
- ③ Connect any PPS or Aux connections to the grey 4-way screw terminal connector.
- ④ Connect the USB console cable to the USB Type C port.



SCAN ME



/ RESET BUTTON

The front panel reset button can be used to perform the functions listed below.

Pressing and holding the reset button will cause the SYSTEM and NTP LEDs will flash rapidly to indicate the operation to perform. Releasing the button initiates the action.



Hold For	Release After	Action
3-6 Seconds	2 Sets of Flashes	Shutdown
8-11 Seconds	4 Sets of Flashes	Reboot
14-17 Seconds	6 Sets of Flashes	Factory Reset
18+ Seconds	1 Set of Flashes	Cancel

/ CONNECTING TO THE NTP SERVER



Web GUI

Default IP Address:	192.168.1.101
---------------------	---------------

Console CLI

USB-C Port	115200,8,N,1
Username:	admin
Password:	See Product Label



amg-support.com/AMG810-1F_Series

To access the full software user guide for this product please visit the product page using the QR code above or the direct link opposite.



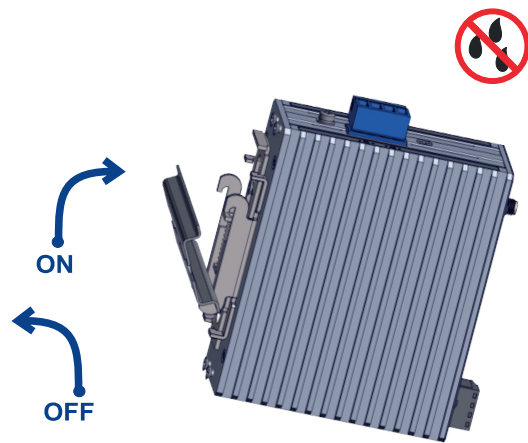
AMG810 Series Industrial NTP Server

Installation Manual - Hardware

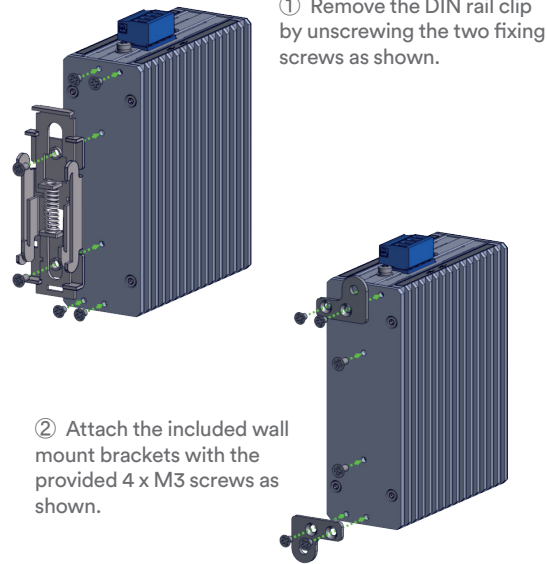
AMG
amgsystems.com

AMG810

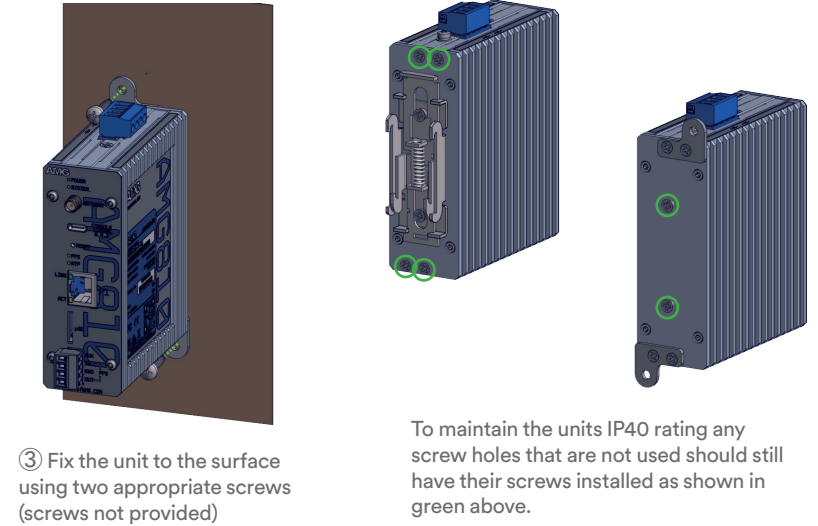
/ DIN RAIL MOUNT INSTALLATION



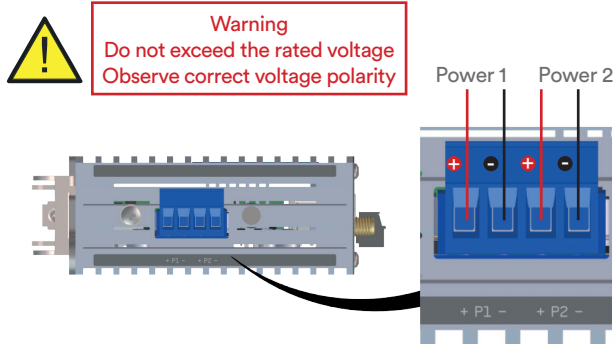
/ SURFACE MOUNT INSTALLATION



/ IP RATING



/ POWER



Model Type	DC Voltage	PoE	Power
AMG810-1F	11-27 VDC	No	1W Typical / 5W Max
AMG810-1F-PD	11-27 VDC	Yes	1W Typical / 5W Max

/ EARTH PROTECTION



To provide correct protection from ESD and Surge events ensure that the unit is correctly earthed using the provided earth connection point in accordance with local electrical codes & standards. (cable not provided)

/ LED INDICATORS

LED	Colour	Status	Description
POWER	Blue	On	Power 1, 2 or PoE Present
		Off	Not Booted
SYSTEM	Green	Blink	Booting, Bad Power, No Network
		On	Good
		Off	No/Poor GNSS Lock
PPS	Green	Blink	Start of Second
		Off	No Sync
NTP	Green	Blink	Holdover, High Jitter, Using Backup
		On	Good
LINK	Green	Off	No Link On RJ45 Port
		On	Link On RJ45 Port
ACT	Yellow	Blink	Activity On RJ45 Port

