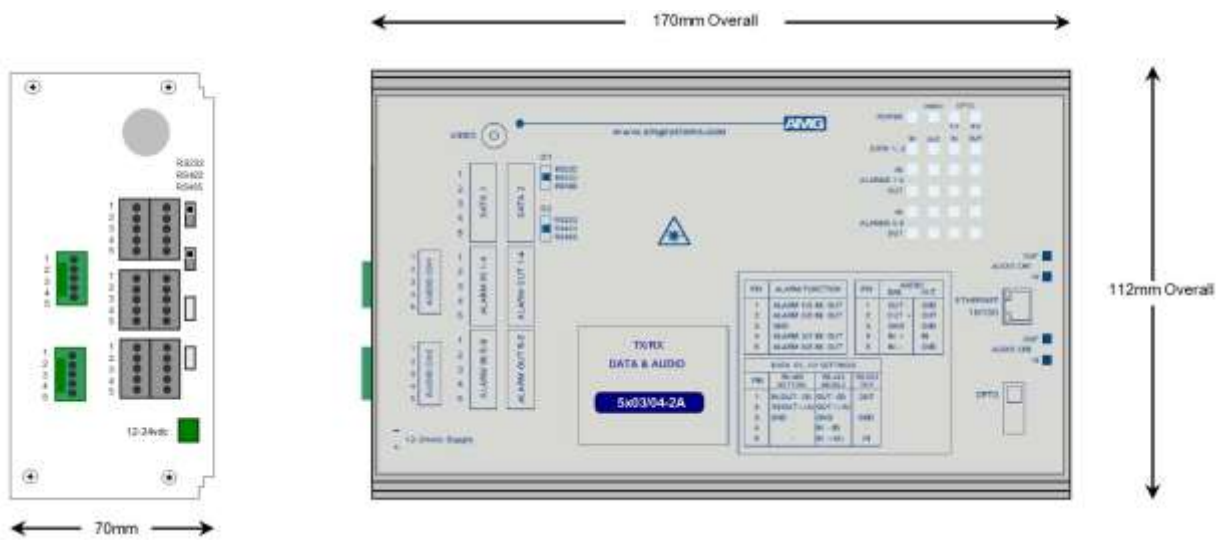




AMG5814-2A9-DF Instruction Manual

Single Channel Video Receive Unit with two Bi-directional Data Channels, two Bi-directional Audio Channels, eight Bi-directional Alarms plus Ethernet for a Multimode Dual Fibre Link



The **AMG5814-2A9-DF** is a standalone one channel video receive unit designed to receive 1 video signal and transmit and receive 2 data signals, 2 audio channels plus 8 bi-directional alarms and also provides full duplex 100Base-T Ethernet connectivity over two Multimode optical fibres.

The **AMG5814-2A9-DF** is designed to be powered using an **AMG2001** standalone power supply.

The **AMG5814-2A9-DF** is designed to operate with an **AMG5813-2A9-DF** or **AMG5813-2A9R-DF** data transmit unit in a point to point configuration. The R suffix in the part no. indicates a rackmount configuration.

Contents

Introduction	3
Unit Functional Schematic.....	3
Optical Connection	3
Ethernet Operation	3
Connections	4
Power Connection	4
Video Output Connection	4
Optical Connection Multimode.....	4
Data and Alarm Channel Connections	4
Audio Connections	4
Ethernet Connection	5
Front Panel Indicators	6
Power LED.....	6
Low Speed Data LEDs	6
Alarm LEDs.....	6
Ethernet Data LEDs.....	6
Audio LEDs.....	6
Data and Alarm Channel Configuration	8
Data Channel Configuration	8
Data Interface Connections	8
Data Channel Termination.....	8
Alarm Channel Configuration	9
Alarm Channel Circuit.....	9
Alarm Interface Connections	10
Audio Channel Configuration	11
Audio Channel Configuration.....	11
Audio Interface Connections Ch1 & Ch2.....	11
Physical Information	12
Dimensions	12
Mounting Details.....	12
Safety	12
Maintenance and Repair	12

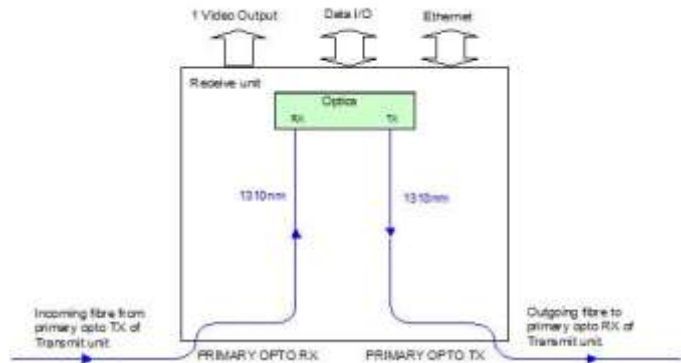
Introduction

Unit Functional Schematic

The **AMG5814-2A9-DF** transmits 2 data channels, 2 bi-directional audio signals and 8 bi-directional alarm signals to the **AMG5813-2A9-DF** transmit unit.

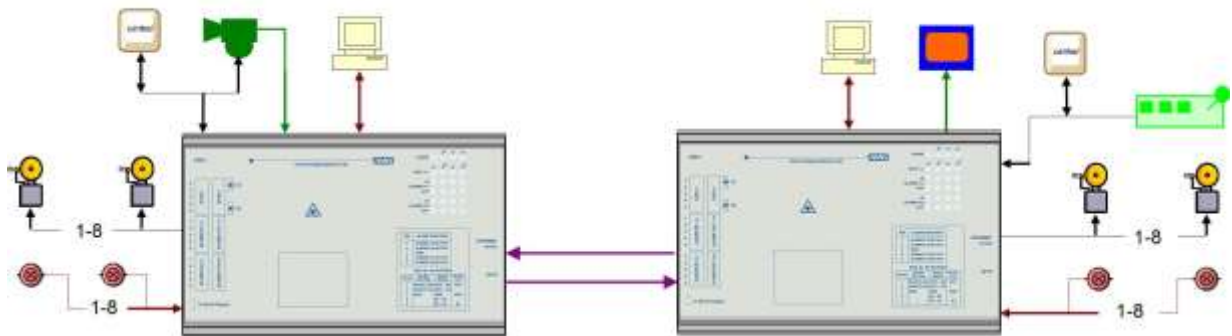
It also receives 1 video, 2 data channels, 2 bi-directional audio signals and 8 bi-directional alarms transmitted from the **AMG5813-2A9-DF**.

Ethernet connectivity is also provided between the two units.



Optical Connection

The **AMG5814-2A9-DF** connections are illustrated in the following example which shows an **AMG5813-2A9-DF** transmit unit together with an **AMG5814-2A9-DF** receive unit configured as a single channel point to point system.



Ethernet Operation

The Ethernet interface supports 100Mbit/s full duplex operation only. Data is transmitted from one port the other port with minimum delay or buffering.

The port implements "Auto MDI/MDIX" i.e. it may be connected with either a straight-through or cross-over cable to an appropriate device such as external switch, PC or other DCE/DTE.

Two LED indicators are provided adjacent to the RJ-45 port: Green indicates Link / Data transfer and Yellow indicates no Ethernet connection.

Connections

Power Connection

Connector TypeRemovable 2-pin, 3.81mm, Screw Terminal
Connector Partno.....Phoenix 1803578
Supply Voltage.....+12 to +15 Volts DC
Maximum Power5 Watts

Video Output Connection

Connector75 ohm BNC Socket.
Output Impedance75 ohm terminated.
Output Level1 Volt p-p nominal
Frequency Response.....10Hz to 7MHz.

Optical Connection Multimode

Optical Fibres.....Multimode 50/125 or 62.5/125**
ConnectorsSC/PC

Minimum Optical Launch Power-15dBm
Transmit Wavelength.....1310nm
Minimum Optical Sensitivity.....-34dBm
Receive Wavelength.....1310nm
Minimum Optical Dynamic Range19dB.

**Note : the maximum transmission distance is 2km. This is limited by the bandwidth of the Multimode optical fibres.

Data and Alarm Channel Connections

No. of Data Channels2
No. of Alarms8

ConnectorsRemovable 5-pin, 3.5mm, Spring Terminal
Connector Partnos.....Phoenix 1952296

Data InterfacesRS-232 / 422 / 485. Selected by external slide switches D1-D2

RS-232 – Switch Position - Top
RS-422 – Switch Position - Middle
RS-485 – Switch Position - Bottom

Internal 120Ω termination resistors may be applied to RS-422 or RS-485 inputs as required by internal DIL switches inside the enclosure. *See appropriate section on how to remove the case for access to the DIL switches.

Alarm inputs.....Input is via a series 10k resistor with 47kΩ pull-up to +3V3.
Alarm outputs.....Output is NPN open collector, maximum load 500mA @ 24Vdc.

Audio Connections

No. of Audio Channels.....2

ConnectorsRemovable 5-pin, 2.5mm, Spring Terminal
Connector Partno.....Phoenix 1881354

Input level 0dBm
Input overload level +6dBm

Input impedance 10kΩ / 600Ω
Output impedance 600Ω

Frequency response 10Hz to 20KHz

Audio Input impedance is selected by removable jumper JP1 or JP2 on Audio Expansion board inside enclosure. *See appropriate section on how to remove the case for access to the data/audio switches.

- 1-2 – High Impedance 10kΩ
- 2-3 – Balanced 600Ω

Ethernet Connection

Ethernet Data Connector RJ45
Interface..... Auto MDI/MDIX 100BASE-TX
Ethernet Data Rate..... Maximum 100Mb/s full duplex

Front Panel Indicators

Power LED

POWER	Green	-	Power is present
	Off	-	Power is not present
VIDEO	Green	-	Video output signal is present
	Off	-	Video input signal is not present
OPTO TX	Green	-	Tx opto. present
	Off	-	Tx opto. is not present
OPTO RX.....	Green	-	Rx opto. sync.
	Off	-	Rx opto. is not sync.

Low Speed Data LEDs

Data Present IN (RS485 or RS422)	Green	-	logic zero (+V, -V) present on IN+, IN-
	Red	-	logic one (-V,+V) present on IN+, IN-
	Off	-	tri-state off or no connection on IN+, IN-
Data Present IN (RS232).....	Green	-	logic zero (+V) present on input IN+
	Red	-	logic transitions present on input IN+
	Off	-	logic one (-V) present on input IN+

IN corresponds to the data signals being transmitted onto the optical fibre.

Data Present OUT (RS485 or RS422)	Green	-	logic zero (+V,-V) present on OUT+, OUT-
	Red	-	logic one (-V,+V) present on OUT+, OUT-
	Off	-	tri-state off or no connection on OUT+, OUT-
Data Present OUT (RS232).....	Green	-	logic zero (+V) present on OUT+
	Red	-	logic transitions present on OUT+
	Off	-	logic one (-V) present on OUT+

OUT corresponds to the data signals being received from the optical fibre.

Alarm LEDs

Channels 1-8

ALARM IN	Green	-	Alarm ON / Contacts closed.
	Off	-	Alarm OFF / Contacts open.
ALARM OUT	Green	-	Alarm ON / Contacts closed.
	Off	-	Alarm OFF / Contacts open.

Ethernet Data LEDs

Link not Present	Yellow	-	Link not present
	Off	-	Link is present
Link Integrity	Green	-	Link integrity is good, Idle state
	GBlink	-	Data transfer
	Off	-	Link not present

Audio LEDs

Audio Present TX Green - audio present > -40dBm
Red - audio present > 0dBm (overload at +6dBm)
Off - audio not present or < -40dBm

This represents the audio signals being transmitted on the optical fibre

Audio Present RX Green - audio present > -40dBm
Red - audio present > 0dBm (overload at +6dBm)
Off - audio not present or < -40dBm

This represents the audio signals being received from the optical fibre.

Data and Alarm Channel Configuration

The **AMG5814-2A9-DF** receive unit sends and receives data to/from an **AMG5813-2A9-DF** or rackmount equivalent **AMG5813R-2A9-DF** transmit unit. The 2 physical data interfaces RS-485, RS-422 or RS-232 are individually selectable by the user with the slide switch mounted from the rear panel.

There are also 8 bi-directional alarm inputs provided, each alarm input is typically connected to a contact closure switch. Each alarm output can receive an on/off signal from an **AMG5813-2A9-DF** and is typically used to convey contact closure status.

Data Channel Configuration

Each low speed data channel provides an RS-232, RS-422 (full duplex, four wire) or RS-485 (half duplex, two wire) interface defined by the corresponding mode switch inside the enclosure. Every data channel as shipped from the factory is set up for RS-485 operation unless otherwise requested.

The data input for both the RS-485 and the RS-422 modes detects a tri-state input condition by monitoring the differential voltage level across the input. A differential level below 600mV positive or negative will be detected as a tri-state condition. A level above 600mV positive or negative will be detected as a logic 1 or logic 0 respectively. It is important therefore to terminate the RS-485 bus or the RS-422 input bus using 120Ω if a pre-bias is present on the RS-485 or RS-422 bus.

A large number of third party equipment manufacturers apply a pre-bias on their RS-485 bus. This pre-bias is applied by pulling one arm of the RS-485 bus high (+5 volts) and the other arm low (0 volts) using high value resistors within the third party equipment. In order to ensure that the AMG equipment detects a tri-state condition, then these resistors should have a value above 5kΩ. If the third party bias resistors are less the 750Ω the bus can be multiple terminated as required to ensure that a tri-state level is detected.

The system detects a tri-state input condition on the data channel bus when in RS-485 or RS-422 mode.

Data Interface Connections

Connector Pin No.	Data Channel		
	RS-485 [switch bottom]	RS-422 [switch middle]	RS-232 [switch top]
1	IN/OUT - (B)	OUT - (B)	OUT
2	IN/OUT + (A)	OUT + (A)	
3	GND	GND	GND
4		IN - (B)	
5		IN + (A)	IN

Note: (A) or (B) in brackets in the above table refers to RS-485 / RS-422 data specification.

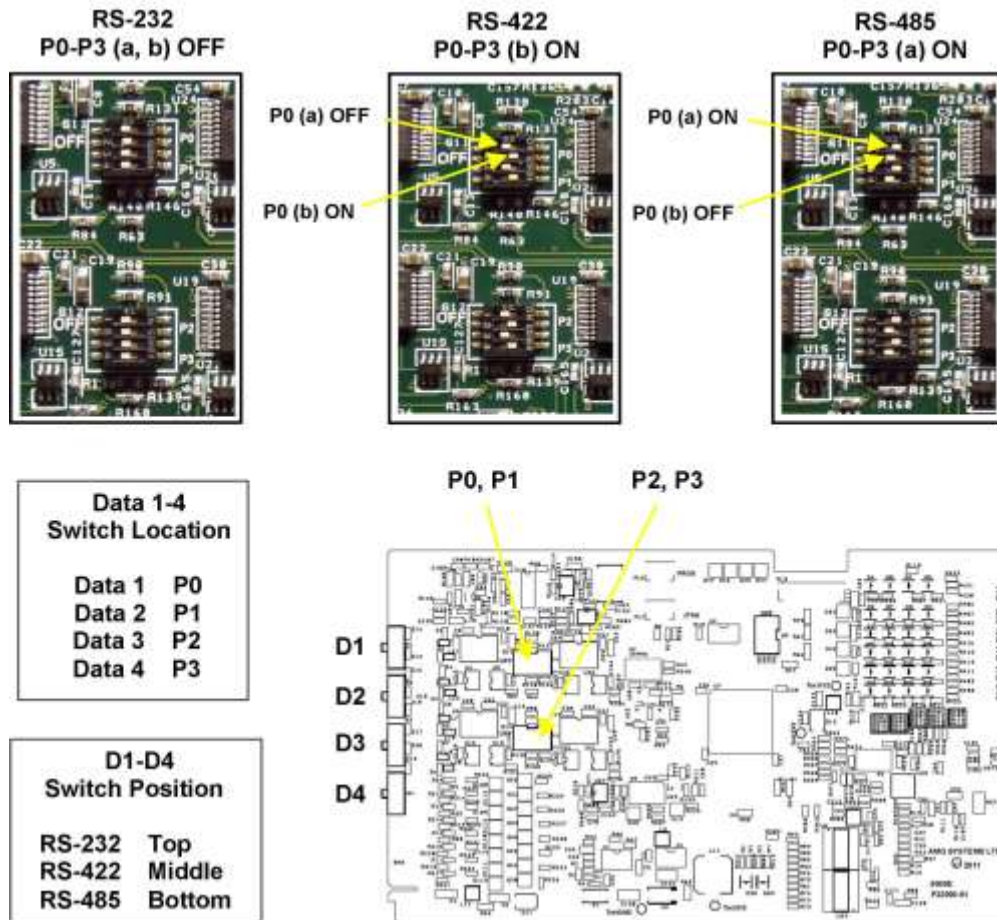
Data Channel Termination

The interface mode RS-232, RS-422 or RS-485 of each data port Data 1-4, is selected with the corresponding external slide switch D1-D4. The actual number of data channels provided on the unit depends upon the AMG model.

Internal 120Ω termination resistors across IN+ and IN- inputs may also be applied when in RS-422 or RS-485 mode using internal DIP switches P0-P3 on the main PCB inside the enclosure. P0-P3 may

be accessed by removing the 2 fixing screws in the rear panel and sliding the PCB out of the enclosure.

For clarity, in the 3 examples shown below all 4 data ports D1-D4 are terminated the same, but each data channel may be configured & terminated independently as required. The 3 examples shown are RS-232 (no termination), RS-422 (120Ω) or RS-485 (120Ω).



Alarm Channel Configuration

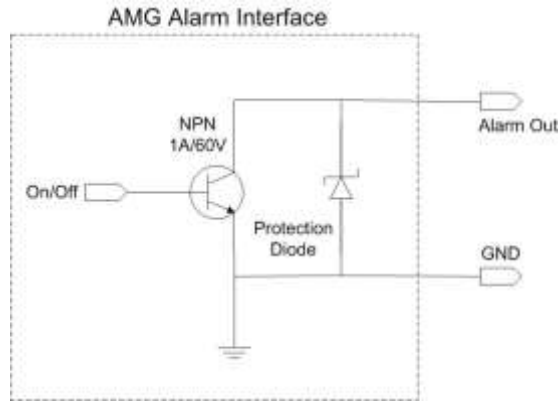
The **AMG5804-2A9R-DF** provides 8 bi-directional contact closure inputs / alarm outputs.

Each ALARM IN input is via an internal 10kΩ series resistor with a 47kΩ pull-up resistor to the internal +3V3 supply.

Each ALARM OUT output can receive an on/off signal from an **AMG5803-2A9-DF** and is typically used to convey contact closure status. Each alarm output is NPN open collector, maximum load 500mA / 24Vdc.

Alarm Channel Circuit

The output of each alarm channel is an NPN open collector transistor circuit, with an absolute maximum rating of 1A / 60V. There is a common GND for all alarm channels.



The alarm output circuit is designed for low dc voltage / low current operation and has minimal internal protection. If an alarm output is used to drive an external relay circuit, the external circuit MUST include a protection (flyback) diode connected across the relay to prevent the high voltage generated from a back EMF causing damage due to the AMG output transistor.

Alarm Interface Connections

Connector Pin No.	Alarm Interfaces	
	Alarm IN 1-4, 5-8	Alarm OUT 1-4, 5-8
1	ALARM 1/5 IN	ALARM 1/5 OUT
2	ALARM 2/6 IN	ALARM 2/6 OUT
3	GND	GND
4	ALARM 3/7 IN	ALARM 3/7 OUT
5	ALARM 4/8 IN	ALARM 4/8 OUT

Audio Channel Configuration

Audio Channel Configuration

The **AMG5804-2A9R-DF** provides two bi-directional audio channels.

Each audio channel input can be configured as a single-ended high impedance 10k Ω input with GND reference or alternatively as a balanced 600 Ω input pair. The input impedance is selected using jumpers on the audio expansion board JP1 (Channel 1) or JP2 (Channel 2), the default setting is balanced 600 Ω .

JP1/JP2 1-2 – High Impedance 10k Ω
JP1/JP2 2-3 – Balanced 600 Ω

Audio Interface Connections Ch1 & Ch2

Connector Pin No.	Balanced Input 600 Ω	High Z input 10k Ω
1	OUT -	OUT -
2	OUT +	OUT +
3	GND	GND
4	IN +	IN
5	IN -	GND

Physical Information

Dimensions

Height.....112mm
Width.....170mm (excluding connectors)
Depth35mm
Weight.....200grams

Mounting Details

The AMG unit is supplied with a clip-on mounting bracket which should be attached to a panel or wall using 2 off 4.0mm screws, see diagram on page 1 for dimensions. The unit is clipped into the mounting bracket, and is then held firmly in position.

Safety

AMG Optical Fibre Products use Class 1 laser systems in accordance with EN 60825-2:2000.

It is always advisable to follow good practice when working with optical fibre systems. This includes:

- Do not stare with unprotected eyes or with any unapproved collimating device at fibre ends or connector faces, or point them at other people.
- Use only approved filtered or attenuating viewing aids

For other safety issues and advice on good practice associated with optical fibre systems, please see EN 60825-2:2000 or your local safety officer.

Maintenance and Repair

There are no user serviceable parts within AMG products. See unit data sheet for full specification. In case of problem or failure, please call your local support centre or contact: **AMG Systems Ltd.** at 3 The Omega Centre, Stratton Business Park, Biggleswade, Beds., SG18 8QB, UK.

Phone	+44 (0) 1767 600 777
Technical Support	+44 (0) 1767 604 491
Email	techsupport@amgsystems.com