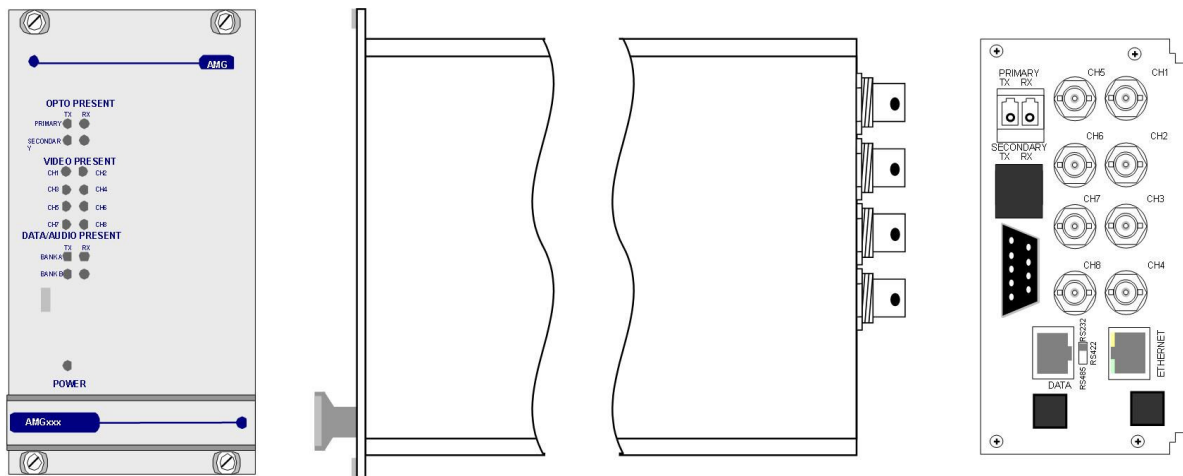


8 Channel Video Receive Unit with 1 Bi-directional Data Channel plus Ethernet and Dual Redundant Operation - includes AMG NMS Network Management Interface



The **AMG4784ERN-DR-SF** is a rackmount eight channel video receive unit designed to receive 8 video signals and transmit and receive 1 data signal plus full duplex 100BaseT Ethernet connectivity over one singlemode fibre with Dual Redundant operation. It also includes an AMG Management Interface to allow Management of the system using the AMG SNMP enabled Management software.

The **AMG4784ERN-DR-SF** is designed to plug into an AMG2009 or AMG2015 subrack, which in turn fits into a 19" rack system.

The **AMG4784EN-DR-SF** is designed to operate with **AMG4783E-DR-SF** or rackmount equivalent **AMG4783ER-DR-SF** eight channel video transmit unit in a point to point configuration.

Contents

Introduction	3
Unit Functional Schematic.....	3
Dual Redundant Operation.....	3
Optical Connection	3
Connections	4
Video Output Connections.....	4
Optical Connections	4
Power Connection	4
Ethernet Connection.....	4
Data and Audio Channel Connections	4
Data and Audio Channel Configuration	5
Data and Audio Channel Configuration.....	5
Data Interface Connections Channel A	5
Data Channel A Configuration.....	5
Front Panel Indicators	6
Power LED.....	6
Video Output LED's	6
Fibre Optic LED's	6
Low Speed Data LEDs	6
Network Management	7
NMS Operation.....	7
SNMP	7
Network Alarm Port	7
The Management Interface	7
Alarm Output and Reset Operation	9
Physical Information	10
Dimensions	10
Mounting Details.....	10
Removal / replacement from / to the Case.....	10
Safety	10
Maintenance and Repair	10

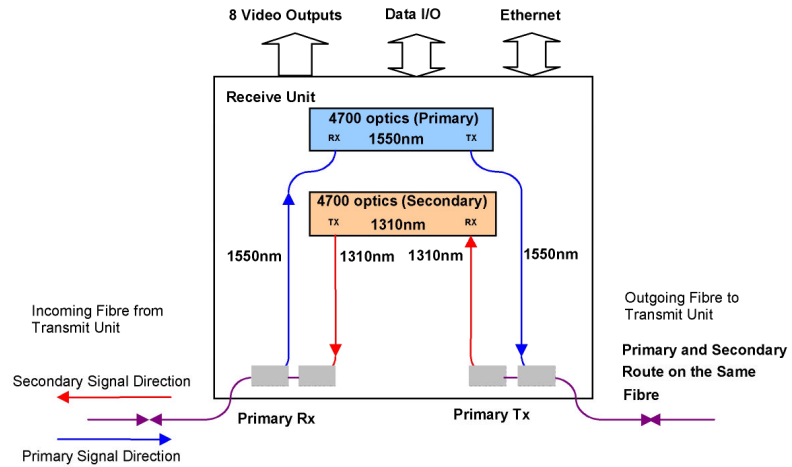
Introduction

Unit Functional Schematic

The **AMG4784ERN-DR-SF** drops off up to 8 video and 1 data and audio signals transmitted from the **AMG4783E-DR-SF**.

It also transmits up to 1 data and audio channels to the **AMG4783E-DR-SF**.

Ethernet connectivity is also provided between the two units.



As each unit regenerates the optical signal, the optical dynamic range between each optically connected node is 17dB.

Dual Redundant Operation

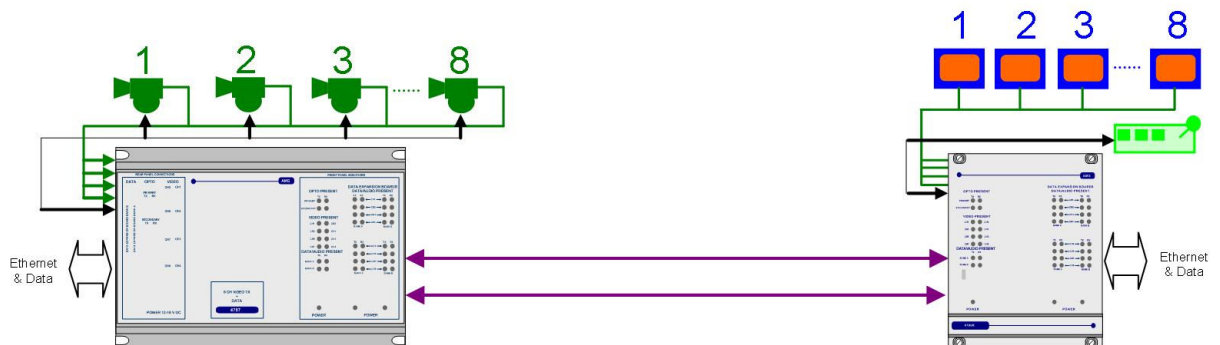
The **AMG4783E-DR-SF** transmits and receives the optical signals from both primary and secondary optical channels. These optical channels are transmitted on the same optical fibre in opposite directions, operating at different wavelengths. The primary channel operates on 1550nm and the secondary channel on 1310nm.

The **AMG4783E-DR-SF** receives and drops off a data signal transmitted from an **AMG4784EN-DR-SF** receiver. It then inserts video and a data signal onto the outgoing optical signal. In normal operation the video and data signals are transmitted on the primary output and the data received from the primary input. The secondary optical input is independent and is regenerated on the secondary output.

At the **AMG4784EN-DR-SF** receiver if the primary input signal is not present, the unit will shut down the secondary output to inform the **AMG4783E-DR-SF** that the primary signal route is not OK. The **AMG4783E-DR-SF** will then send out the video and data signals on its secondary output in the opposite direction. As the primary input at the **AMG4784EN-DR-SF** is not present the data signal will now be taken from the secondary optical input, thus maintaining integrity of the data transmission.

Optical Connection

The **AMG4784ERN-DR-SF** is connected as illustrated below when used with an **AMG4783E-DR-SF** 8-channel transmit unit acting as a point to point system.



Connections

Video Output Connections

No. of channels8
Connectors75 ohm BNC Socket.
Output Impedance75 ohm terminated.
Output Level1 Volt p-p nominal
Frequency Response.....10Hz to 7MHz.

Optical Connections

PRIMARY OPTO OUT

ConnectorLC/PC
Primary Optical Launch Power-5dBm
Wavelength1550nm
Secondary Optical Sensitivity-22dBm
Wavelength1310nm

PRIMARY OPTO IN

ConnectorLC/PC
Primary Optical Sensitivity-22dBm
Wavelength1550nm
Secondary Optical Launch Power-5dBm
Wavelength1310nm

Power Connection

Power supplyfrom plug in connection on the AMG2009 / AMG2015 subrack
Power consumption10 Watts max.

Ethernet Connection

Ethernet Data ConnectorRJ45
InterfaceAuto-negotiation up to 100BASE-TX full duplex
Ethernet Data RateMaximum 50Mbps/s total Ethernet traffic on fibre

Data and Audio Channel Connections

DATA CHANNEL A

Data Channel A1 channel
Data ConnectorRJ45
Channel A InterfaceOn Board Data Interface – RS232, RS422 or RS485. Selected by slide switch above the RJ45 connector.

RS232 – switch position - high (closest to BNC connections)
RS422 – switch position – middle
RS485 – switch position – low (furthest from BNC connections)

DATA CHANNEL B

Data Channel BNot Present

Data and Audio Channel Configuration

Data and Audio Channel Configuration

The **AMG4784EN-DR-SF** and rackmount equivalent **AMG4784ERN-DR-SF** sends and receives data to/from Channel A. Channel B is not available. Channel A is a single data interface selectable by the user with the slide switch on the rear panel.

Data Interface Connections Channel A

RJ45 Pin No.	Channel A			Cat 5/6 Cable Colour Code T568B
	RS485 [switch low]	RS422 [switch mid]	RS232 [switch high]	
1		IN + (A)	GND	White/orange
2		IN - (B)	IN	Orange
3				White/green
4				Blue
5				White/blue
6				Green
7	IN/OUT + (A)	OUT + (A)	N/A	White/brown
8	IN/OUT - (B)	OUT - (B)	OUT	Brown

Note: (A) or (B) in brackets in above table refers to RS485 / RS422 data specification, not Channel A, Channel B.

Data Channel A Configuration

Channel A is always present and allows for a RS232, RS422 (full duplex, four wire) or RS485 (half duplex, two wire) interface depending on the position of the switch located above the RJ45 connector. The switch signifies the presence of the X16004 Low Speed Data/Audio Interface Board. If there are LED's present on the RJ45 connector then an X16003 Ethernet Interface Board is fitted.

The data input for both the RS485 and the RS422 modes detects a tri-state input condition by monitoring the differential voltage level across the input. A differential level below 600mV positive or negative will be detected as a tri-state condition. A level above 600mV positive or negative will be detected as a logic 1 or logic zero respectively. It is important therefore to terminate the RS485 bus or the RS422 input bus using 120Ω if a pre-bias is present on the RS485 or RS422 bus.

A large number of third party equipment manufacturers apply a pre-bias on their RS485 bus. This pre-bias is applied by pulling one arm of the RS485 bus high (+5 volts) and the other arm low (0 volts) using high value resistors within the third party equipment. In order to ensure that the AMG equipment detects a tri-state condition, then these resistors should have a value above 5kΩ. If the third party bias resistors are less the 750Ω the bus can be double or triple terminated as required to ensure that a tri-state level is detected.

Note: The Data Channel A is shipped from the factory set up for RS485 operation unless otherwise requested.

Front Panel Indicators

Power LED

Power	Green	-	unit powered
	Off	-	no power applied to unit

Video Output LED's

Video Present CH1-8	Green	-	video signal present on output BNC
	Org	-	channel present but no video on O/P BNC
	Off	-	no video channel present

Fibre Optic LED's

Primary Opto Sync TX	Green	-	optical channel transmitting
	Off	-	optical channel not transmitting
Primary Opto Sync RX	Green	-	optical channel receiving
	Org	-	optical channel receiving but not sync.
	Off	-	optical channel not receiving
Secondary Opto Sync TX	Green	-	optical channel transmitting
	Off	-	optical channel not transmitting
Secondary Opto Sync RX	Green	-	optical channel receiving
	Org	-	optical channel receiving but not sync.
	Off	-	optical channel not receiving

Low Speed Data LEDs

Channel A

Data Present TX (RS485 or RS422) ...	Green	-	logic zero (+V, -V) present on IN+, IN-
	Red	-	logic one (-V,+V) present on IN+, IN-
	Off	-	tri-state off or no connection on IN+, IN-
Data Present TX (RS232)	Green	-	logic zero (+V) present on input IN+
	Red	-	logic transitions present on input IN+
	Off	-	logic one (-V) present on input IN+

This represents the data signals being transmitted on the optical fibre

Data Present RX (RS485 or RS422) ...	Green	-	logic zero (+V,-V) present on OUT+, OUT-
	Red	-	logic one (-V,+V) present on OUT+, OUT-
	Off	-	tri-state off or no connection on OUT+, OUT-
Data Present RX (RS232)	Green	-	logic zero (+V) present on OUT+
	Red	-	logic transitions present on OUT+
	Off	-	logic one (-V) present on OUT+

This represents the data signals being received on the optical fibre

Network Management

Network Management of the system is provided by the AMG Management Interface which allows Management using the AMG SNMP enabled Management software.

NMS Operation

Requires Network Management "N" option in each Rx (Receive) or Tx (Transmit) unit.
Recommended for Dual Redundant Options to give knowledge of failure
Rx collects information regarding all attached Tx units

Interface

- 9 Way D-type management port on each Rx or Tx
- RS-232 or RS-485 on Management Port
- Multiple Rx/Tx units use RS-485 and effectively parallel all the RS-485 ports together
- Connect to PC RS-232 Port via RS-485/RS-232 convertor

Proprietary GUI

- Loss of unit
- Loss of Optical Input
- Loss of Video Input

SNMP

SNMP Compatibility: SMNP Version 1
AMG3700 Device do NOT act as SNMP Agents

PC running AMG NMS software is the only 'true' SNMP Agent

- Provides Proxy access to all AMG devices
- SNMP Community String used to differentiate between AMG devices

Network Alarm Port

Alarm Output: Normally Closed

Opens when loss of :

- Video at any insert node
- Primary optical input at any node
- Secondary optical input at any node
- Any node through a power down
- Power at the receiver

Closed by: Reset

The Management Interface

The Management Interface is fitted to AMG receivers / transmitters and is signified by a 'N' in the part number

Each management interface, thus each receiver or transmitter, has an ID number with is identified below the management port. This ID number is used by the AMG Network Management System (NMS) to identify the unit.

The physical interface is a 9 way female D-type connector. It supports either RS-232 or RS-485.

Management Port Pin-out:

Pin Number	RS-232 Connection	RS-485 Connection
1	-	Data B (+)
2	RD (data out of port)	Data A (-)
3	TD (data into port)	-
4	Connect to DTR held -ve or shorted to ground	-
5	SG (signal ground)	SG (signal Ground)
6	Alarm Output	Alarm Output
7	Alarm Output	Alarm Output
8	Alarm reset (Gnd)	Alarm reset (Gnd)
9	Alarm reset	Alarm reset

For multiple Management Ports it is recommended that the RS-485 interface is used with each RS-485 pair connected in parallel. In this case an RS-485 to RS-232 / USB converter is required in order to connect to a standard PC Comms. Port.

The time delay between receiving a data request and sending out a response from the port is 625µs. Therefore any RS-485 converter should have a 'turn around' time or 'transmit dwell' time equal to or less than 625µs.

Recommended RS-485 Converter's are:

RS-485 to RS-232

Dataforth DCP485-S: Available in the UK from <http://uk.farnell.com/> Order No. 300-9348

Settings on the DCP485-S:

- RS-485 Switch Settings: 1-UP, 2-DOWN, 3-DOWN, 4-UP, 5-DOWN, 6-DOWN, 7-DOWN, 8-UP
- RS-232 Switch Settings: 1-DOWN, 2-UP, 3-DOWN, 4-UP
- DCE/DTE set to DCE.

RS-485 to USB

B&B 485USBTB-2W: Available in Europe from <http://www.bb-europe.com/> Order No. 485USBTB-2W

Connections to management port:

Management Port	DCP485-S	485USBTB-2W
1	2 or 4	B+
2	3 or 5	A-
5	GND	GND

NOTES:

On the DCP485-S, pins 3 and 5 are connected together and pins 2 and 4 are connected together. On the 485USBTB-2W, there are 2 pairs of terminals both labeled A-, B+, either pair may be used.

Alarm Output and Reset Operation

The alarm output and reset is designed to indicate a change of state of the fibre loop or spur attached to the receiver. The Alarm output is a volts free contact relay output (rating: 0.5A at 125VAC or 1A at 24VDC). It normally open, which means that when not powered the contacts will be open circuit.

On power up the contacts will close and will remain closed for up to 5 seconds. During this time the receiver will monitor and record the state of the AMG transmit units connected to the receiver.

The contacts will then remain closed until there is a change from this recorded state. A change of state would be:

- Addition or loss of video at any insert node
- Addition or loss of primary optical input at any node
- Addition or loss of secondary optical input at any node
- Power up or down of any node
- Loss of power at the receiver

Following a change of state the contacts will remain open, regardless of whether the alarm condition reverts back to its previous state, until the a reset signal is presented to the alarm input connections. The alarm reset input is biased at 5V via a 1k Ω resistor. To reset the alarm, the alarm reset is required to be pulled to ground, either by a volt-free contact or an open collector output. The alarm output will be held in a closed state whilst the alarm reset is connected to ground.

On release of the alarm reset, the alarm output will remain in a closed state until the next change of state to the AMG transmit unit connected to the receiver. The alarm output may not register a change of state which happens within 5 seconds of release of the alarm reset.

Physical Information

Dimensions

Height.....3U Plug-in
Width.....14HP
Depth170mm excluding connectors
Weight.....1000grams

Mounting Details

The unit is designed to be mounted within an AMG2009 or AMG2015 Subrack on standard card guides.

Removal / replacement from / to the Case

Note: - The AMG unit PCB's are static sensitive. Handle with proper care and use normal electrostatic discharge (ESD) procedures. Use properly grounded protection (for example, wrist straps) when handling the PCB.

To remove units from the case to access the data expansion boards and the daughter boards, remove the 2 or 4 fixing screws on the rear panel and slide the PCB's out of the case. Ensure that the fibres do not snag or get trapped.

To replace the PCB's into the case, slide the PCB's gently into the case aligning the boards with the appropriate slots. Ensure that the fibre do not snag or get trapped.

Safety

AMG Optical Fibre Products use Class 1 laser systems in accordance with EN 60825-2:2000.

It is always advisable to follow good practice when working with optical fibre systems. This includes:

- Do not stare with unprotected eyes or with any unapproved collimating device at fibre ends or connector faces, or point them at other people.
- Use only approved filtered or attenuating viewing aids

For other safety issues and advice on good practice associated with optical fibre systems, please see EN 60825-2:2000 or your local safety officer.

Maintenance and Repair

There are no user serviceable parts within AMG products. See unit data sheet for full specification.

In case of problem or failure, please call your local support centre or contact: **AMG Systems Ltd.** at 3 The Omega Centre, Stratton Business Park, Biggleswade, Beds., SG18 8QB, UK.

Phone	+44 (0) 1767 600 777
Technical Support	+44 (0) 1767 604 491
Email	techsupport@amgsystems.com

This page is intentionally blank.

This page is intentionally blank.