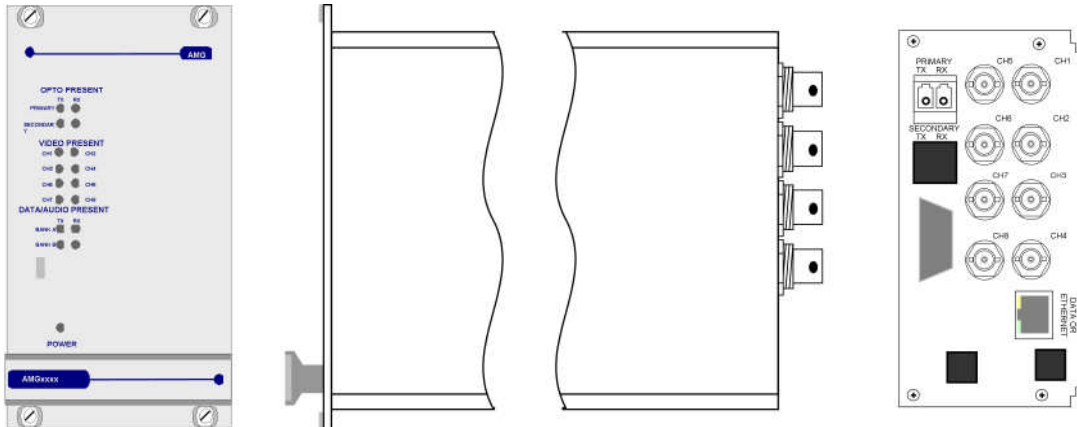




# AMG4784BxR-CWDMn Instruction Manual

## 8 Channel Video Receive Unit with 2 Bi-Directional Data and Audio Channels for CWDM



The **AMG4784BxR-CWDMn** is a rackmount eight channel video receive unit designed to transmit 8 video signals and transmit and receive up to 2 data or audio signals over two Singlemode fibres. The **AMG4784BxR-CWDMn** transmits on a CWDM wavelength defined by the 'n' in the CWDMn partno. as detailed in the table below, but can receive from any 1310nm or 1550nm band wavelength.

The **AMG4784BxR-CWDMn** is designed to plug into an AMG2005 subrack, which in turn fits into a 19" rack system.

The **AMG4784BxR-CWDMn** is designed to operate with **AMG4783Bx-CWDMn** or rackmount equivalent **AMG4783BxR-CWDMn** eight channel video transmit unit in a point to point configuration.

### Standard AMG CWDMn wavelengths

CWDM Code 'n'	Wavelength (nm)	CWDM Code 'n'	Wavelength (nm)
1	1510	5	1470
2	1530	6	1490
3	1550	7	1590
4	1570	8	1610

# Contents

<b>Introduction</b>	<b>3</b>
Unit Functional Schematic .....	3
Optical Connection .....	3
<b>Connections</b>	<b>4</b>
Video Output Connections .....	4
Optical Connections .....	4
Power Connection .....	4
Data and Audio Channel Connections .....	4
<b>Data and Audio Channel Configuration</b>	<b>5</b>
Data and Audio Channel Configuration .....	5
Data Interface Connections Channel A .....	5
Data Channel A Configuration .....	5
Data / Audio Channel B Configuration .....	6
Data Interface Daughter Board Options .....	6
Audio / Data Interface Connections RJ45 - Channel B .....	6
<b>Front panel Indicators</b>	<b>7</b>
Power LED .....	7
Video Output LED's .....	7
Fibre Optic LED's .....	7
Low Speed Data LEDs .....	7
<b>Physical Information</b>	<b>9</b>
Dimensions .....	9
Mounting Details .....	9
Removal / replacement from / to the Case .....	9
<b>Safety</b>	<b>9</b>
<b>Maintenance and Repair</b>	<b>9</b>

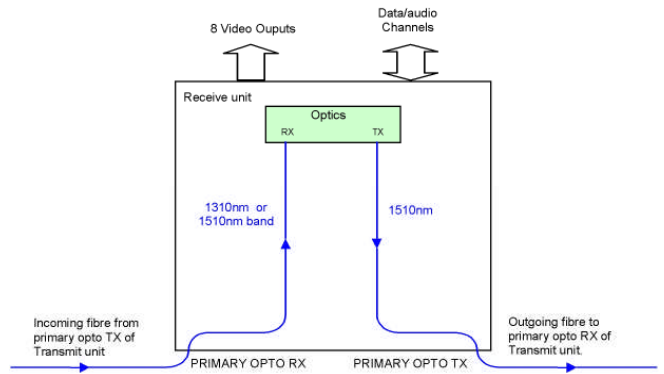
## Introduction

### Unit Functional Schematic

The **AMG4784BxR-CWDMn** receives up to 8 video and 2 data and audio signals transmitted from the **AMG4783BxR-CWDMn** transmit unit on any wavelength from the 1310nm or 1550nm band.

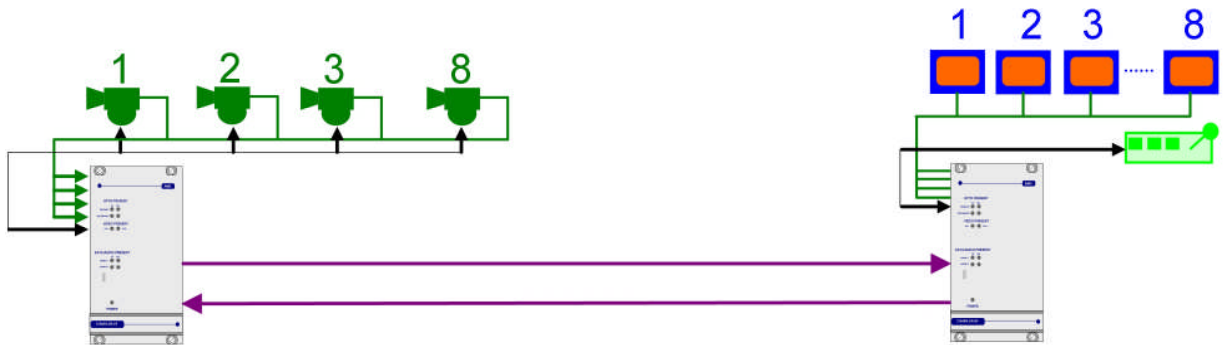
It also transmits up to 2 data and audio channels to the **AMG4783BxR-CWDMn** using a wavelength defined by 'n' in the CWDMn partno.

The example shown in the schematic is where 'n' = 1, i.e. the receive unit Tx wavelength is 1510nm.



### Optical Connection

The **AMG4784BxR-CWDMn** is connected as illustrated below when used with an **AMG4783BxR-CWDMn** 8-channel transmit unit acting as a point to point system.



## Connections

---

### Video Output Connections

Connector ..... 75 ohm BNC Socket.  
Output Impedance ..... 75 ohm terminated.  
Output Level..... 1 volt p-p nominal  
Frequency Response..... 10Hz to 5.75MHz min.  
No of channels ..... 8

### Optical Connections

#### PRIMARY OPTO OUT

Connector ..... LC/PC  
Primary Optical Launch Power ..... 0dBm  
Wavelength ..... Defined by 'n' in the AMG Partno.  
Optical Fibre..... Singlemode

#### PRIMARY OPTO IN

Connector ..... LC/PC  
Primary Optical Sensitivity ..... -22dBm  
Wavelength ..... Any 1310nm or 1550nm band  
Optical Fibre..... Singlemode  
Optical Overload ..... -5dBm

NOTE: The optical launch power may overload the input of an AMG receiver if connected directly. A minimum of 5dB loss is required to ensure correct operation.

### Power Connection

Power supply ..... from plug in connection on the 2005 subrack  
Power consumption ..... 10 Watts max.

### Data and Audio Channel Connections

Total No. of Data Channels..... 2 channels

#### DATA CHANNEL A

Data Channel A..... 1 channel  
Data Connector ..... RJ45

Channel A Interface     On Board Data Interface – RS232, RS422 or RS485. Selected by slide switch above the RJ45 connector.

RS485 – switch position - high (closest to BNC connections)  
RS422 – switch position – middle  
RS232 – switch position – low (furthest from BNC connections)

#### DATA CHANNEL B

Data Channel B..... 1 channel  
Data Connector ..... RJ45  
Channel B Interface ..... Defined by data/audio interface daughter board fitted into Slot 1 on main board and indicated by the 'x' in the AMG partno.

## Data and Audio Channel Configuration

---

### Data and Audio Channel Configuration

The **AMG4784Bx-CWDMn** and rackmount equivalent **AMG4784BxR-CWDMn** sends and receives data to/from Channel A and Channel B. Channel A is a single data interface selectable by the user with the slide switch on the rear panel. Channel B carries a second channel of data / audio, the function and physical interface being determined by the type of daughter board fitted to the B Channel data slot.

### Data Interface Connections Channel A

RJ45 Pin No.	Channel A			Cat 5/6 Cable Colour Code T568B
	RS485 [switch high]	RS422 [switch mid]	RS232 [switch low]	
1		IN + (A)	GND	White/orange
2		IN - (B)	IN	Orange
3				White/green
4				Blue
5				White/blue
6				Green
7	IN/OUT + (A)	OUT + (A)	N/A	White/brown
8	IN/OUT - (B)	OUT - (B)	OUT	Brown

Note: (A) or (B) in brackets in above table refers to RS485 / RS422 data specification, not Channel A, Channel B.

### Data Channel A Configuration

Channel A is always present and allows for a RS232, RS422 (full duplex, four wire) or RS485 (half duplex, two wire) interface depending on the position of the switch located above the RJ45 connector. The switch signifies the presence of the X16004 Low Speed Data/Audio Interface Board. If there are LED's present on the RJ45 connector then an X16003 Ethernet Interface Board is fitted.

The data input for both the RS485 and the RS422 modes detects a tri-state input condition by monitoring the differential voltage level across the input. A differential level below 600mV positive or negative will be detected as a tri-state condition. A level above 600mV positive or negative will be detected as a logic 1 or logic zero respectively. It is important therefore to terminate the RS485 bus or the RS422 input bus using 120Ω if a pre-bias is present on the RS485 or RS422 bus.

A large number of third party equipment manufacturers apply a pre-bias on their RS485 bus. This pre-bias is applied by pulling one arm of the RS485 bus high (+5 volts) and the other arm low (0 volts) using high value resistors within the third party equipment. In order to ensure that the AMG equipment detects a tri-state condition, then these resistors should have a value above 5kΩ. If the third party bias resistors are less than 750Ω the bus can be double or triple terminated as required to ensure that a tri-state level is detected.

Note: The Data Channel A is shipped from the factory set up for RS485 operation unless otherwise requested.

### **Data / Audio Channel B Configuration**

Data Channel B is operational when fitted with the appropriate daughter board.

### **Data Interface Daughter Board Options**

The data interface daughter board options are as follows:

<b>Option Code 'x'</b>	<b>Part No.</b>	<b>Description</b>
0	X12542	4 Wire Audio Interface Daughter Board
1	X04057	RS422/485 Data Interface Daughter Board
2	X04049	RS232 Data Interface Daughter Board
3	X04058	20mA Current Loop Data Interface Daughter Board
4	X12579	TTL Data Interface Daughter Board
5	X12578	Contact Closure Data Interface Daughter Board
6	X13038	FTT10A Echelon Lonworks Data Interface Daughter Board

### **Audio / Data Interface Connections RJ45 - Channel B**

RJ45 Channel B low speed data/audio interface connections:

<b>RJ45 Pin No.</b>	<b>Channel B</b>	<b>Cat 5/6 Cable Colour Code T568B</b>
	<b>Data / Audio Daughter Board</b>	
1		<b>White/orange</b>
2		<b>Orange</b>
3	OUT + (A)	<b>White/green</b>
4	IN - (B)	<b>Blue</b>
5	IN + (A)	<b>White/blue</b>
6	OUT - (B)	<b>Green</b>
7		<b>White/brown</b>
8		<b>Brown</b>

Note: (A) or (B) in brackets in above table refers to RS485 / RS422 data specification, not Channel A, Channel B.

## Front panel Indicators

---

### Power LED

Power .....	Green	-	unit powered
	Off	-	no power applied to unit

### Video Output LED's

Video Present CH1-8 .....	Green	-	video signal present on output BNC
	R/G	-	channel present but no video on O/P BNC
	Off	-	no video channel present

### Fibre Optic LED's

Primary Opto Sync TX .....	Green	-	optical channel transmitting
	Off	-	optical channel not transmitting
Primary Opto Sync RX .....	Green	-	optical channel receiving
	R/G	-	optical channel receiving but not sync.
	Off	-	optical channel not transmitting

### Low Speed Data LEDs

#### Channel A

Data Present TX (RS485 or RS422) ...	Green	-	logic zero (+V, -V) present on IN+
	Red	-	logic one (-V, V+) present on IN+
	Off	-	tri-state off or no connection on IN+, IN-
Data Present TX (RS232) .....	Green	-	logic zero (+V) present on input IN+
	Red	-	logic transitions present on input IN+
	Off	-	logic one (-V) present on input IN+

This represents the data signals being transmitted on the optical fibre

Data Present RX (RS485 or RS422) ...	Green	-	logic zero (+V,-V) present on OUT+, OUT-
	Red	-	logic one (-V,+V) present on OUT+, OUT-
	Off	-	tri-state off or no connection on OUT+, OUT-
Data Present RX (RS232) .....	Green	-	logic zero (+V) present on OUT+
	Red	-	logic transitions present on OUT+
	Off	-	logic one (-V) present on OUT+

This represents the data signals being received on the optical fibre

#### Channel B (When RS232 data daughter board fitted)

Data Present TX .....	Green	-	logic zero (+V) present on IN+
	Red	-	logic transitions present on IN+
	Off	-	logic one (-V) present on IN+

This represents the data signals being transmitted on the optical fibre

Data Present RX .....	Green	-	logic zero (+V) present on OUT+
	Red	-	logic transitions present on OUT+
	Off	-	logic one (-V) present on OUT+

This represents the data signals being received on the optical fibre

**Channel B** (When RS485 / RS422 data daughter board fitted)

Data Present TX .....	Green	-	logic zero (+V, -V) present on IN+, IN-
	Red	-	logic transitions present on IN+, IN-
	Off	-	logic one (-V, +V) present on IN+, IN-

This represents the data signals being transmitted on the optical fibre

Data Present RX .....	Green	-	logic zero (+V, -V) present on OUT+, OUT-
	Red	-	logic transitions present on OUT+, OUT-
	Off	-	logic one (-V, +V) present on OUT+, OUT-

This represents the data signals being received on the optical fibre

**Channel B** (When audio daughter board fitted)

Audio Present TX.....	Green	-	audio present > -40dBm
	Red	-	audio present > 0dBm (overload at +6dBm)
	Off	-	audio not present or < -40dBm

This represents the audio signals being transmitted on the optical fibre

Audio Present RX .....	Green	-	audio present > -40dBm
	Red	-	audio present > 0dBm (overload at +6dBm)
	Off	-	audio not present or < -40dBm

This represents the audio signals being received from the optical fibre.



## **Physical Information**

---

### **Dimensions**

Height.....3U Plug-in  
Width.....14HP  
Depth .....170mm excluding connectors  
Weight.....1000grams

### **Mounting Details**

The unit is designed to be mounted within a 2005 Subrack on standard card guides. Note the AMG standard racks are supplied with guide rails every 7HP. In order to fit this unit in the subrack, 2 sets of card guides have to be removed by pulling gently on the card guides.

### **Removal / replacement from / to the Case**

Note: - The AMG Unit PCB's are static sensitive. Handle with proper care and use normal electrostatic discharge (ESD) procedures. Use properly grounded protection (for example, wrist straps) when handling the PCB.

To remove units from the case to access the data expansion boards and the daughter boards, remove the 4 fixing screws on the rear panel and slide the PCB's out of the case. Ensure that the fibres do not snag or get trapped.

To replace the PCB's into the case, slide the PCB's gently into the case aligning the boards with the appropriate slots. Ensure that the fibre do not snag or get trapped.

## **Safety**

---

AMG Optical Fibre Products use Class 1 laser systems in accordance with EN 60825-2:2000.

It is always advisable to follow good practice when working with optical fibre systems. This includes:

- ▶ Do not stare with unprotected eyes or with any unapproved collimating device at fibre ends or connector faces, or point them at other people.
- ▶ Use only approved filtered or attenuating viewing aids

For other safety issues and advice on good practice associated with optical fibre systems, please see EN 60825-2:2000 or your local safety officer.

## **Maintenance and Repair**

---

There are no user serviceable parts within AMG products. See unit data sheet for full specification.

In case of problem or failure, please call your local support centre or contact: **AMG Systems Ltd.** at 3 The Omega Centre, Stratton Business Park, Biggleswade, Beds., SG18 8QB, UK.

Phone	+44 (0) 1767 600 777
Technical support	+44 (0) 1767 604 491
Email	techsupport@amgsystems.com

This page is intentionally blank.