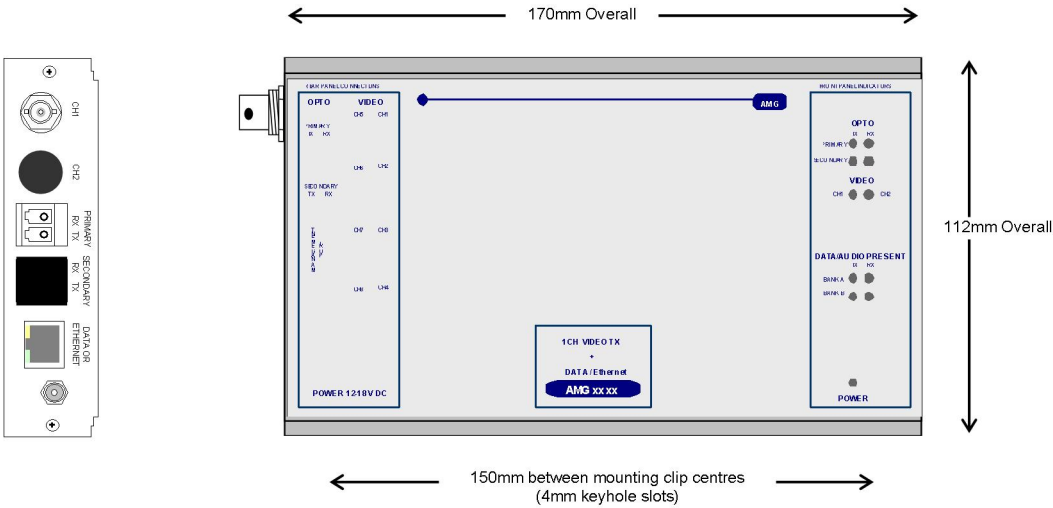




AMG3713 Instruction Manual

Single Channel Video Insert Unit with one Bi-directional Data Channel for a Singlemode Fibre Ring



The **AMG3713** is a standalone one channel video insert unit designed to transmit 1 video signal and transmit & receive 1 bi-directional data channel to/from a singlemode optical fibre ring.

The **AMG3713** is designed to be powered using an **AMG2003** standalone power supply.

The **AMG3713** is designed to operate with an **AMG3784** or rackmount equivalent **AMG3784R** eight channel video receive unit. The receive unit will 'drop off' up to eight video channels which are being transmitted around the fibre ring from up to four dual channel or equivalent number of alternative multi-channel insert units.

Contents

Introduction	3
Unit Functional Schematic.....	3
Video Input Channel Configuration	3
Optical Connection	3
Connections	5
Video Input Connections	5
Optical Connections	5
Power Connection	5
Data and Audio Channel Connections	5
Front Panel Indicators	6
Power LED.....	6
Video Input LED's	6
Fibre Optic LED's	6
Low Speed Data LEDs	6
Data and Audio Channel Configuration	7
Data and Audio Channel Configuration.....	7
Data Interface Connections Channel A	7
Data Channel A Configuration.....	7
Physical Information	8
Dimensions	8
Mounting Details	8
Removal / replacement from / to the Case	8
Safety	8
Maintenance and Repair	8

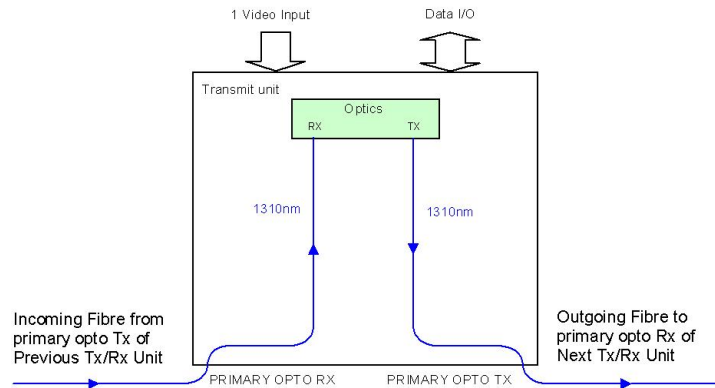
Introduction

Unit Functional Schematic

The **AMG3713** transmits and receives the optical signals to/from a primary optical channel.

The optical channel is transmitted on a single optical fibre around the ring in one direction and operates at a single wavelength.

The primary channel operates on 1310nm.



The **AMG3713** receives and drops off data signals transmitted from an **AMG3784** receiver. It then inserts video and data signals onto the outgoing optical signal.

As each unit regenerates the optical signal, the optical dynamic range between each optically connected node is 17dB.

Video Input Channel Configuration

At the **AMG3713** or rackmount **AMG3713R** insert unit, video signals present at the BNC inputs can be inserted on one to eight video channels transmitted on the optical fibre. The first video channel number of each insert unit is set by the rotary switch on the front panel of the unit.

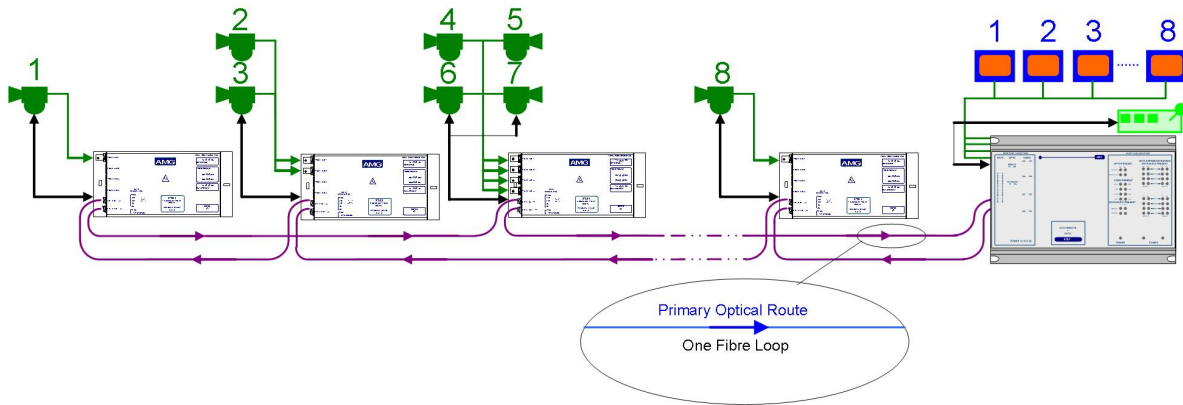
It is normal to set each insert unit to a different channel number. If the same number is used twice, an insert unit connected 'down stream' on the primary optical route will 'over-write' any coincident video channels coming from the previous insert unit and those video signals will be lost.

The switch channel numbers 1 to 8, correspond to video channels 1-8. Unused switch channel numbers 0 & 9 duplicate video channel selections 1 & 8 respectively. i.e. setting switch to position 0 or 1 selects video channel 1 and setting switch to position 8 or 9 selects channel 8.

Optical Connection

The **AMG3713** or rackmount **AMG3713R** is designed to be connected in a ring or point to point system.

In a ring system, single, dual and four channel insert units respectively can be combined to make up an 8 channel video transmission system as illustrated below.



Connections

Video Input Connections

No. of channels..... 1
Connector 75 ohm BNC Socket.
Input Impedance 75 ohm terminated.
Input Level 1 volt p-p nominal
Frequency Response 10Hz to 7MHz.

Optical Connections

PRIMARY OPTO OUT

Connector LC/PC
Primary Optical Launch Power -5dBm
Wavelength 1310nm
Optical Fibre Singlemode

PRIMARY OPTO IN

Connector LC/PC
Primary Optical Sensitivity -22dBm
Wavelength 1310nm
Optical Fibre Singlemode

Power Connection

Connector Type 2.1mm screw lock long power jack – centre positive
Connector Partno. Switchcraft S761K, AMG G16125-00
Supply Voltage 13.5 to 18.0 Volts DC.
Maximum Power 5 Watts

Data and Audio Channel Connections

DATA CHANNEL A

Data Channel A 1 channel
Data Connector RJ45

Channel A Interface On Board Data Interface – RS232, RS422 or RS485. Selected by slide switch above RJ45 connector.

RS485 – switch position - high (closest to BNC connections)
RS422 – switch position – middle
RS232 – switch position – low (furthest from BNC connections)

DATA CHANNEL B

Data Channel B Not Present

Front Panel Indicators

Power LED

Power	Green	-	unit powered
	Off	-	no power applied to unit

Video Input LED's

Video Present CH1	Green	-	video signal present on input BNC
	Org	-	channel present but no video on I/P BNC

Fibre Optic LED's

Primary Opto Sync TX	Green	-	optical channel transmitting
	Off	-	optical channel not transmitting
Primary Opto Sync RX	Green	-	optical channel receiving
	Org	-	optical channel receiving but not sync.
	Off	-	optical channel not transmitting

Low Speed Data LEDs

Channel A

Data Present TX (RS485 or RS422) ...	Green	-	logic zero (+V, -V) present on IN+, IN-
	Red	-	logic one (-V,+V) present on IN+, IN-
	Off	-	tri-state off or no connection on IN+, IN-
Data Present TX (RS232)	Green	-	logic zero (+V) present on input IN+
	Red	-	logic transitions present on input IN+
	Off	-	logic one (-V) present on input IN+

This represents the data signals being transmitted on the optical fibre

Data Present RX (RS485 or RS422) ...	Green	-	logic zero (+V,-V) present on OUT+, OUT-
	Red	-	logic one (-V,+V) present on OUT+, OUT-
	Off	-	tri-state off or no connection on OUT+, OUT-
Data Present RX (RS232)	Green	-	logic zero (+V) present on OUT+
	Red	-	logic transitions present on OUT+
	Off	-	logic one (-V) present on OUT+

This represents the data signals being received on the optical fibre

Data and Audio Channel Configuration

Data and Audio Channel Configuration

The **AMG3713** and rackmount equivalent **AMG3713R** sends and receives data to/from Channel A. Channel B is not available. Channel A is a single data interface selectable by the user with the slide switch on the rear panel.

Data Interface Connections Channel A

RJ45 Pin No.	Channel A			Cat 5/6 Cable Colour Code T568B
	RS485 [switch high]	RS422 [switch mid]	RS232 [switch low]	
1		IN + (A)	GND	White/orange
2		IN - (B)	IN	Orange
3				White/green
4				Blue
5				White/blue
6				Green
7	IN/OUT + (A)	OUT + (A)	N/A	White/brown
8	IN/OUT - (B)	OUT - (B)	OUT	Brown

Note: (A) or (B) in brackets in above table refers to RS485 / RS422 data specification, not Channel A, Channel B.

Data Channel A Configuration

Channel A is always present and allows for a RS232, RS422 (full duplex, four wire) or RS485 (half duplex, two wire) interface depending on the position of the switch located above the RJ45 connector. The switch signifies the presence of the X16004 Low Speed Data/Audio Interface Board. If there are LED's present on the RJ45 connector then an X16003 Ethernet Interface Board is fitted.

The data input for both the RS485 and the RS422 modes detects a tri-state input condition by monitoring the differential voltage level across the input. A differential level below 600mV positive or negative will be detected as a tri-state condition. A level above 600mV positive or negative will be detected as a logic 1 or logic zero respectively. It is important therefore to terminate the RS485 bus or the RS422 input bus using 120Ω if a pre-bias is present on the RS485 or RS422 bus.

A large number of third party equipment manufacturers apply a pre-bias on their RS485 bus. This pre-bias is applied by pulling one arm of the RS485 bus high (+5 volts) and the other arm low (0 volts) using high value resistors within the third party equipment. In order to ensure that the AMG equipment detects a tri-state condition, then these resistors should have a value above 5kΩ. If the third party bias resistors are less the 750Ω the bus can be double or triple terminated as required to ensure that a tri-state level is detected.

Note: The Data Channel A is shipped from the factory set up for RS485 operation unless otherwise requested.

Physical Information

Dimensions

Height..... 112mm
Width..... 170mm (excluding connectors)
Depth 35mm
Weight..... 500grams

Mounting Details

The AMG unit is supplied with a clip-on mounting bracket which should be attached to a panel or wall using 2 off 4.0mm screws, see diagram on page 1 for dimensions. The unit is clipped into the mounting bracket, and is then held firmly in position.

Removal / replacement from / to the Case

Note: - The AMG unit PCB's are static sensitive. Handle with proper care and use normal electrostatic discharge (ESD) procedures. Use properly grounded protection (for example, wrist straps) when handling the PCB.

To remove units from the case to access the data expansion boards and the daughter boards, remove the 2 or 4 fixing screws on the rear panel and slide the PCB's out of the case. Ensure that the fibres do not snag or get trapped.

To replace the PCB's into the case, slide the PCB's gently into the case aligning the boards with the appropriate slots. Ensure that the fibre do not snag or get trapped.

Safety

AMG Optical Fibre Products use Class 1 laser systems in accordance with EN 60825-2:2000.

It is always advisable to follow good practice when working with optical fibre systems. This includes:

- Do not stare with unprotected eyes or with any unapproved collimating device at fibre ends or connector faces, or point them at other people.
- Use only approved filtered or attenuating viewing aids

For other safety issues and advice on good practice associated with optical fibre systems, please see EN 60825-2:2000 or your local safety officer.

Maintenance and Repair

There are no user serviceable parts within AMG products. See unit data sheet for full specification.

In case of problem or failure, please call your local support centre or contact: **AMG Systems Ltd.** at 3 The Omega Centre, Stratton Business Park, Biggleswade, Beds., SG18 8QB, UK.

Phone	+44 (0) 1767 600 777
Technical Support	+44 (0) 1767 604 491
Email	techsupport@amgsystems.com