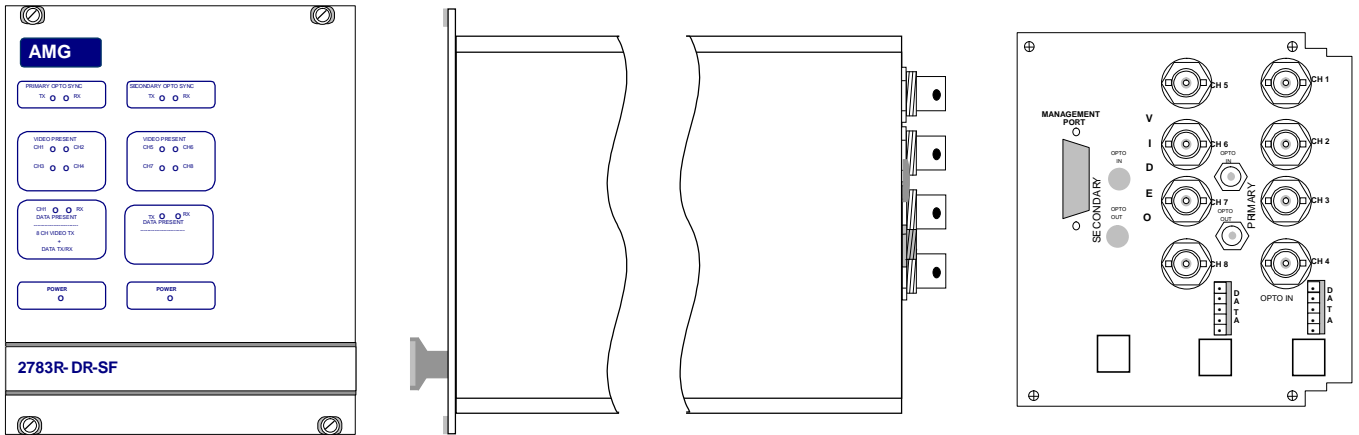




AMG2783R-DR-SF Instruction Manual

Eight Channel Video Transmit Unit with Bi-directional Data With Dual Redundant Operation on a single fibre ring



The **AMG2783R-DR-SF** is a rackmount eight channel video transmit unit designed to transmit eight video signals onto a single fibre optical fibre ring. It also provides up to two RS485/RS422/RS232 bi-directional data channels to the video receiver. The **AMG2783R-DR-SF** is designed to plug into an **AMG2005** subrack which in turn fits into a 19" rack system.

The **AMG2783R-DR-SF** is designed to operate with an **AMG2784-DR-SF** 8 channel video and bi-directional data receive unit or their rackmount equivalents.

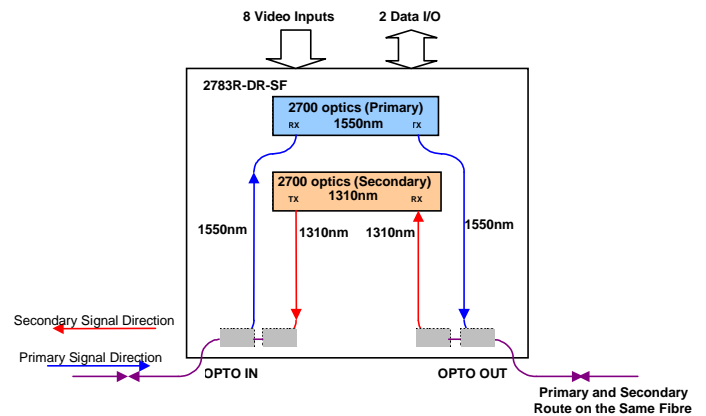
Index	Page No.
Introduction	2
Unit Functional Schematic.....	2
Optical System Connection	2
Connections	3
Video Input Connections	3
Optical Connections	3
Power Connections	4
Data Connections.....	4
Indicators	5
Physical Information	6
Dimensions.....	6
Mounting Details.....	6
Configuration of the Data Channels	6
SW1 Switch Settings	7
Removal from the Case	8
Safety	8
Maintenance and Repair	8

Introduction

Unit Functional Schematic

The **AMG2783R-4-DR-SF** transmits and receives optical signals from both a primary and a secondary optical channel. These optical channels are transmitted on the same optical fibre in different directions, operating on different wavelengths. The primary channel operates on 1550nm and the secondary channel on 1310nm.

The **AMG2783R-DR-SF** receives and drops off a data signal transmitted from an **AMG2784R-DR-SF** receiver. It then inserts the video and data signal onto the outgoing optical signal.



In normal operation where connection of both the previous unit and the subsequent unit are OK, the video and data signals are transmitted on the primary optical output and the data received from the primary optical input. The secondary optical input is independent and is regenerated on the secondary optical output.

If the primary optical input signal is not present, the unit will shut down the secondary optical output to inform the **AMG2784R-DR-SF** that the optical signal route is not OK. The **AMG2784R-DR-SF** will then send out the data signals on its secondary optical output in the opposite direction. This signal will be transmitted back to this **AMG2783R-4-DR-SF** on the secondary optical route. As the primary optical input is not present on this unit, the data signal will now be taken from the secondary optical input. Thus maintaining integrity of the data transmission.

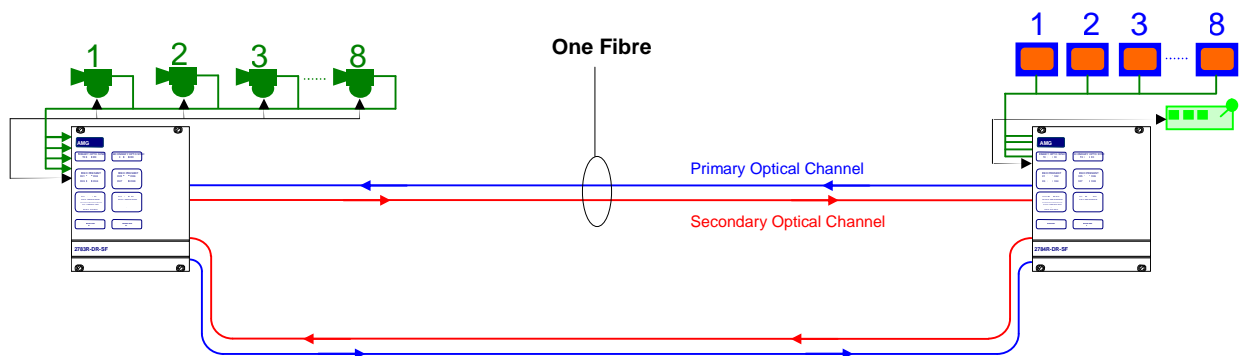
If the secondary optical input signal is not present, the unit will assume that the primary route to the **AMG2784R-DR-SF** is not OK and send out the video and data signal on the secondary optical output. The video and data will now be transmitted to the **AMG2784R-DR-SF** in the opposite direction on the secondary optical route.

Optical System Connection

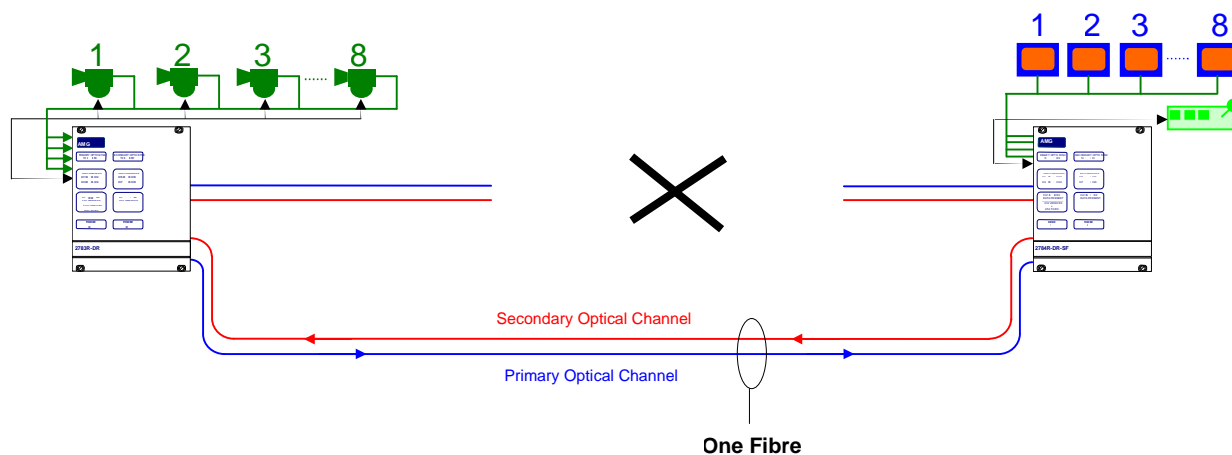
The **AMG2783R-DR-SF** units are designed to be connected in a point to point system with an **AMG2784R-DR-SF**. The optical dynamic range between each optically connected node is 15dB.

Note that where necessary repeaters can be added to increase transmission distances.

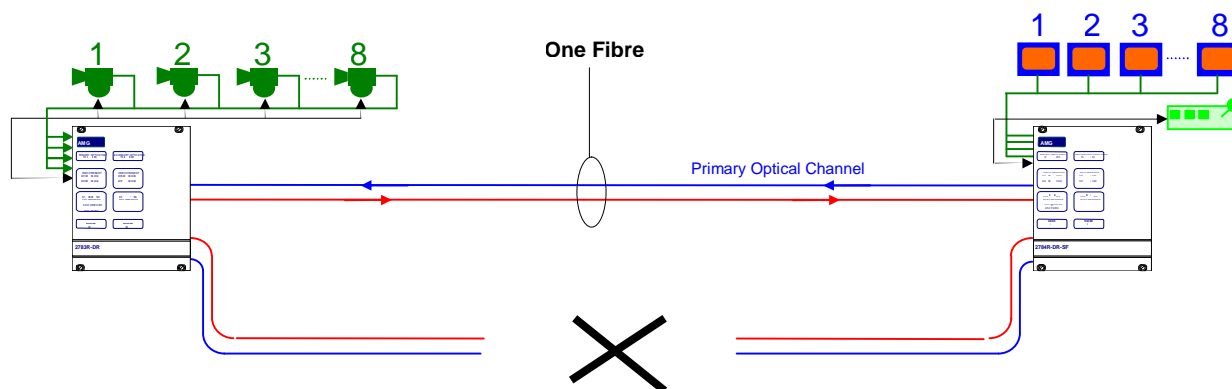
The **AMG2783R-DR-SF** is connected as illustrated below when used with an **AMG2784R-DR-SF** 8 channel insert unit.



If one of the routes is broken, operation of the system is maintained as shown below:



Or:



Connections

Video Input Connections

Connector 75 ohm BNC Socket.
 Input Impedance 75 ohm terminated.
 Input Level 1 volt p-p nominal
 Frequency Response 10Hz to 5.75MHz min.
 No of channels 8

Optical Connections

PRIMARY OPTO OUT

Connector FC/PC
 Primary Optical Launch Power -6dBm
 Wavelength 1550nm

Secondary Optical Sensitivity -21dBm
 Wavelength 1310nm

PRIMARY OPTO IN

Connector FC/PC
 Primary Optical Sensitivity -21dBm
 Wavelength 1550nm

Secondary Optical Launch Power -6dBm
Wavelength 1310nm

Power Connection

Power supply from plug in connection on the 2000 or 2005 subrack
Power consumption 20 Watts max.

Data Connections

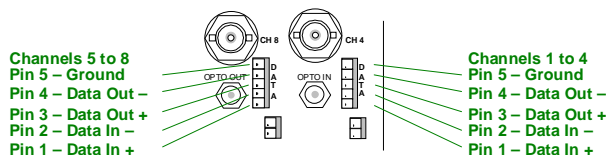
Number of Channels..... Two independent data channels, one associated with video channels 1-4 and another associated with video channels 5-8.

Data Connector 5 way removable spring terminal connector (2.5mm spacing)
Manufacturers Part No. Phoenix/Combicom FK-MC-0.5/5-ST-2.5
AMG Part No G15098-00

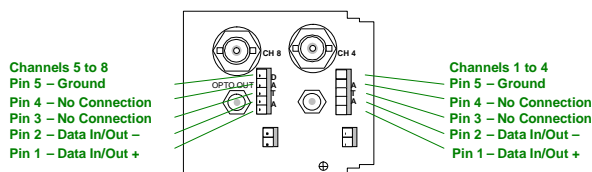
SW1 used to select between RS232 and RS485/422, SW2 is used to select between RS422 and RS485.

NOTE: The unit is shipped from the factory as RS485 unless otherwise requested.

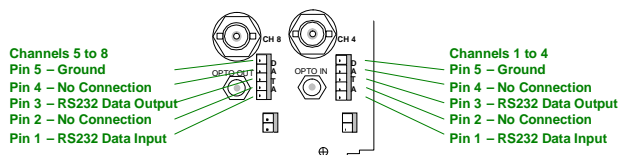
Connections RS422 4 wire See schematic



Connections RS485 4 wire See schematic



Connections RS232 See schematic



Protocol	
RS232	SW1 switch position 9 on, switch position 10 on SW2 all off
RS485 2wire below	SW1 switch position 9 off, switch position 10 off SW2 see below
RS422 4 wire Bus'ed or point to point below	SW1 switch position 9 off, switch position 10 off SW2 see below

See below for **Configuration of the RS485 / RS422 data channel** and description of tristate operation
Each of the two data channels can be set up independently.

Indicators

Power	Green	– unit powered
	Off	– no power applied to unit
Primary Opto Sync TX	Green	- optical channel transmitting
	Off	- optical channel not transmitting
Primary Opto Sync RX	Green	- optical channel receiving
	Off	- optical channel not receiving
Secondary Opto Sync TX	Green	- optical channel transmitting
	Off	- optical channel not transmitting
Secondary Opto Sync RX.....	Green	- optical channel receiving
	Off	- optical channel not receiving
Video Present CH1-8.....	Green	– video signal present on video channel BNC
	Off	– no video present on video channel BNC
Data Present TX	Green	– logic one present on the data input
	Red	– logic zero present on the data input
	Off	– tri-state off or no connection on the data input

This represents the data signals being transmitted on the optical fibre

Data Present RX.....	Green	– logic one present on the corresponding data output
	Red	– logic zero present on the data output
	Off	– tri-state off on the data output

This represents the data signals being received on the optical fibre

Physical Information

Dimensions

Height	3U Plug-in
Width.....	21HP
Depth	170mm excluding connectors
Weight.....	1100grams

Mounting Details

The unit is designed to be mounted within an **AMG2005** Subrack on standard card guides. Note the AMG2005 Subrack is supplied with guide rails every 14HP. In order to fit this unit in the subrack it may be necessary to move some card guides by pulling gently on the card guides.

The 2005 series subrack is fitted with a 100 watt power supply. A maximum of 3 units may be fitted into one 2005 series subrack limited by the 70HP rack space.

It is important to take into account air circulation within a subrack. As a minimum a 1U space is recommended below and above each subrack and Fan trays should be used where appropriate.

Configuration of the Data Channels

SW1 and SW2 determine the protocol of the data channel. This can be RS232, RS485 or RS422. (See below for **removal from the case** and access to SW1 and SW2)

Mode 1 – RS485 two wire half duplex transmission.

Mode 2 – RS422 four wire full duplex transmission.

In this mode the RS422 output will transmit a tristate condition as well as logic high and logic low for systems which require bus-ing of the RS422 four-wire connection.

MODE	Configuration Details	SW2 position 1	SW2 position 2	SW2 position 3	SW2 position 4	SW1 position 9	SW1 position 10
1	RS-422 4 wire Point-to-Point - and RS-422 BUS system	OFF	OFF	OFF	OFF	OFF	OFF
2	RS-485 2 wire BUS systems	OFF	ON	ON	ON	OFF	OFF

The data input for both the RS485 and the RS422 modes detects a tri-state input condition by monitoring the differential voltage level across the input. A differential level below 500mV positive or negative will be detected as a tristate condition. A level above 500mV positive or negative will be detected as a logic 1 or logic zero respectively. **It is important therefore to terminate the RS485 bus or the RS422 input bus using 120ohms if a pre-bias is present on the RS485 or RS422 bus.** A large number of third party equipment manufacturers apply a pre-bias on their RS485 bus. This pre-bias is applied by pulling one arm of the RS485 bus high (+5 volts) and the other arm low (0 volts) using high value resistors within the third party equipment. In order to ensure that the AMG2700 equipment detects a tri-state condition, then these resistors should have a value above 1kohm.

Mode 3 – RS232 full duplex transmission.

MODE	Configuration Details	SW2 position 1	SW2 position 2	SW2 position 3	SW2 position 4	SW1 position 9	SW1 position 10
3	RS-232 Point to Point	OFF	OFF	OFF	OFF	ON	ON

Note: - the data channel is set at Mode 1 – RS485 operation at the factory unless otherwise requested.

SW1 Switch Settings

All SW1 switch settings are set at the factory as follows:
Channels 1-4 Card

Switch Position	Description	Setting
1	Video channel configuration	OFF
2	Video channel configuration	OFF
3	Video channel configuration	OFF
4	Primary / Secondary Board Setting	ON
5	Dual Redundant / Not dual redundant	OFF
6	Not Used	OFF
7	Not Used	OFF
8	On board data / Separate data card	ON
9	RS232 Select	OFF for RS485/422
10	RS232 Select	OFF for RS485/422

Channels 5-8 Card

Switch Position	Description	Setting
1	Video channel configuration	OFF
2	Video channel configuration	OFF
3	Video channel configuration	ON
4	Primary / Secondary Board Setting	OFF
5	Dual Redundant / Not dual redundant	OFF
6	Not Used	OFF
7	Not Used	OFF
8	On board data / Separate data card	ON
9	RS232 or RS422/485	OFF for RS485/422
10	RS232 or RS422/485	OFF for RS485/422

Removal from the Case

Note: - The 2700 PCB's are static sensitive. Handle with proper care and use normal electrostatic discharge (ESD) procedures. Use properly grounded protection (for example, wrist stamps) when handling the PCB. The switch positions can be accessed without pulling out the boards from the case fully. It is recommended that the boards are slid out just sufficient to access the switches (~40mm) in order to reduce the possibility of damage to the optical fibres and electronic circuits.

In order to remove the case (to access SW1 and SW2)

- 1.1. Loosen and remove the four screws on the top and bottom of the unit's rear panel.
- 1.2. Slide the PCB assembly connected to the rear panel back from the case by about 40mm.
- 1.3. Ensure that the optical fibre is not trapped.
- 1.4. The Primary Channel TX card is the PCB which has the video input BNC attached through the rear panel labelled CH1.

SW1 and SW2 can be found on the bottom right hand corner of each board and are labelled, close to the rear panel. The switch position are labelled on the switch, switch position 1 is always the furthest from the edge of the PCB.

When re-inserting the main PCB into the housing take care not to trap the optical fibre or the board interconnection cables.

Fasten the rear panel with the screws.

Safety

The 2700 series of products uses a Class 1 laser system in accordance with EN 60825-2:2000.

It is always advisable to follow good practice when working with optical fibre systems. This includes:

- Do not stare with unprotected eyes or with any unapproved collimating device at fibre ends or connector faces, or point them at other people.
- Use only approved filtered or attenuating viewing aids

For other safety issues and advice on good practice associated with the optical fibres systems see EN 60825-2:2000 or your local safety officer.

Maintenance and Repair

There are no user serviceable parts within the AMG2700 products.

In case of problem or failure contact your local support centre or AMG Systems Ltd, Technical Support Department on tel. +44 (0) 1767 600777.

See unit data sheet for full specification.