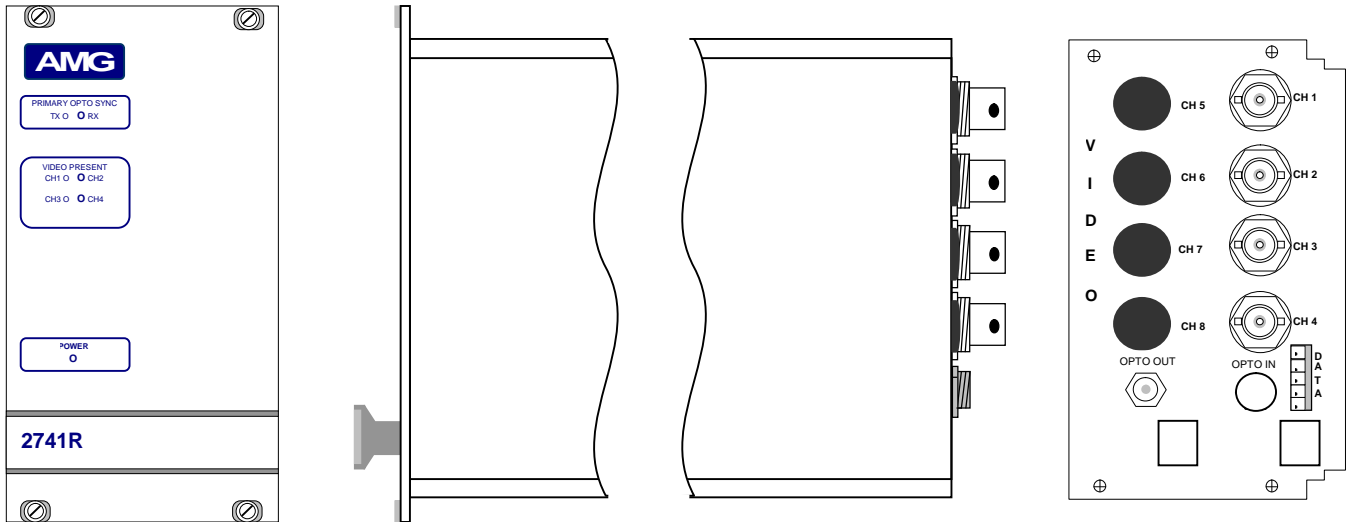




# AMG2741R Instruction Manual

## Four Channel Video TX Unit



**AMG2741R** is a four channel video only transmit unit designed to transmit four video signals down one Singlemode fibre. The **AMG2741R** is designed to plug into an **AMG2000** or an **AMG2005** Subrack which in turn fits into a 19" rack system.

The **AMG2741R** is designed to operate with **AMG2742R** four channel video only receive unit.

### Connections

#### Video Input Connections

No of Channels ..... 4  
 Connectors ..... 75 ohm BNC Socket.  
 Input Impedance ..... 75 ohm terminated.  
 Input Level ..... 1 volt p-p nominal  
 Frequency Response ..... 10Hz to 5.75MHz min.

#### Optical Connections

OPTO OUT  
 Connector ..... FC/PC  
 Optical Launch Power ..... 0 to -5dBm  
 Wavelength ..... 1310nm

#### Power Connection

Power supply ..... from plug in connection on the 2000 or 2005 subrack  
 Power consumption ..... 10 Watts max.

### Indicators

Power .....	Green	- unit powered
	Off	- no power applied to unit
Opto Sync TX .....	Green	- Optical channel transmitting
	Off	- Optical channel not transmitting
Opto Sync RX .....	Not used	
Video Present .....	Green	- video signal present on video the channel indicated.

## ***Physical Information***

### **Dimensions**

Height ..... 3U Plug-in  
Width..... 14HP  
Depth ..... 170mm excluding connectors  
Weight..... 700grams

### **Mounting Details**

The unit is designed to be mounted within a 2000 or 2005 Subrack on standard card guides. Note the AMG standard racks are supplied with guide rails every 7HP. In order to fit this unit in the subrack, 1 set of card guides have to be removed by pulling gently on the card guides.

### **Safety**

The 2700 series of products uses a Class 1 laser system in accordance with EN 60825-2:2000.

It is always advisable to follow good practice when working with optical fibre systems. This includes:

- Do not stare with unprotected eyes or with any unapproved collimating device at fibre ends or connector faces, or point them at other people.
- Use only approved filtered or attenuating viewing aids

For other safety issues and advice on good practice associated with the optical fibres systems see EN 60825-2:2000 or your local safety officer.

### **Maintenance and Repair**

There are no user serviceable parts within the AMG2700 products.

In case of problem or failure contact your local support centre or AMG Systems Ltd, Technical Support Department on tel. +44 (0) 1767 600777.

See unit data sheet for full specification.