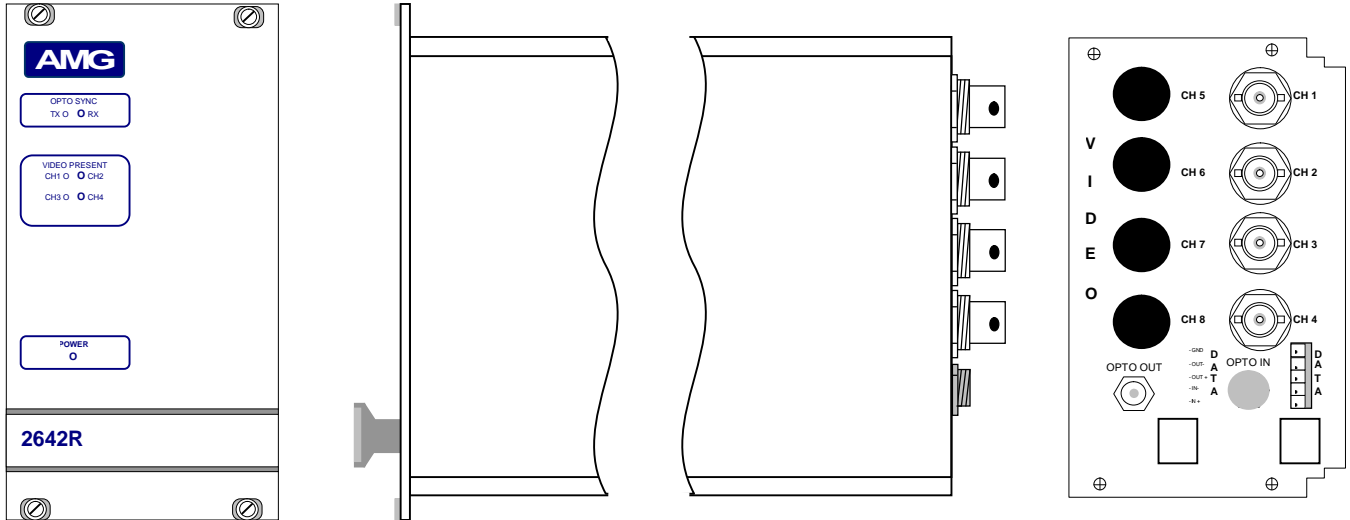




# AMG2642R Instruction Manual

## Four Channel Video RX Unit



**AMG2642R** is a four channel video only receive unit designed to receive four video signals on one multimode fibre. The **AMG2642R** is designed to plug into an **AMG2000** or an **AMG2005** subrack which in turn fits into a 19" rack system.

The **AMG2642R** is designed to operate with **AMG2641R** four channel video only transmit unit.

### Connections

#### Video Output Connections

No of Channels .....	4
Connectors .....	75 ohm BNC Socket.
Output Impedance .....	75 ohm terminated.
Output Level .....	1 volt p-p nominal
Frequency Response .....	10Hz to 5.75MHz min.

#### Optical Connections

OPTO IN	
Connector .....	ST
Optical Receive Power .....	0 to -22dBm
Wavelength .....	1310nm

Note: - The transmission distance on multimode fibre will tend to be limited by the bandwidth of the fibre rather than the optical dynamic range. It is recommended that 50/125 optical fibre is used as this will have a higher bandwidth than 62.5/125 fibre. The **AMG2641R** and **AMG2642R** will transmit and receive over a minimum of 1km of 50/125 fibre and will typically transmit and receive over 2km of 50/125.

#### Power Connection

Power supply .....	from plug in connection on the <b>2000</b> or <b>2005</b> subrack
Power consumption .....	10 Watts max.

#### Indicators

Power .....	Green	-	unit powered
	Off	-	no power applied to unit

Opto Sync TX .....	Green	- Optical channel transmitting
	Off	- Optical channel not transmitting
Opto Sync RX .....	Not used	
Video Present .....	Green	- video signal present on video the channel indicated.

## **Physical Information**

### **Dimensions**

Height .....	3U Plug-in
Width.....	14HP
Depth .....	170mm excluding connectors
Weight.....	600grams

### **Mounting Details**

The unit is designed to be mounted within a **2000** or **2005** Subrack on standard card guides. Note the AMG standard racks are supplied with guide rails every 7HP. In order to fit this unit in the subrack, 1 set of card guides have to be removed by pulling gently on the card guides.

The **2000** subrack is fitted with a 50 watt power supply. A maximum of 5 units may be fitted into one **2000** subrack.

The **2005** subrack is fitted with a 100 watt power supply. A maximum of 5 units may be fitted into one **2005** subrack.

### **Safety**

The 2600 series of products uses a Class 1 laser system in accordance with EN 60825-2:2000.

It is always advisable to follow good practice when working with optical fibre systems. This includes:

- Do not stare with unprotected eyes or with any unapproved collimating device at fibre ends or connector faces, or point them at other people.
- Use only approved filtered or attenuating viewing aids

For other safety issues and advice on good practice associated with the optical fibres systems see EN 60825-2:2000 or your local safety officer.

### **Maintenance and Repair**

There are no user serviceable parts within the AMG2600 products.

In case of problem or failure contact your local support centre or AMG Systems Ltd, Technical Support Department on tel. +44 (0) 1767 600777.

See unit data sheet for full specification.