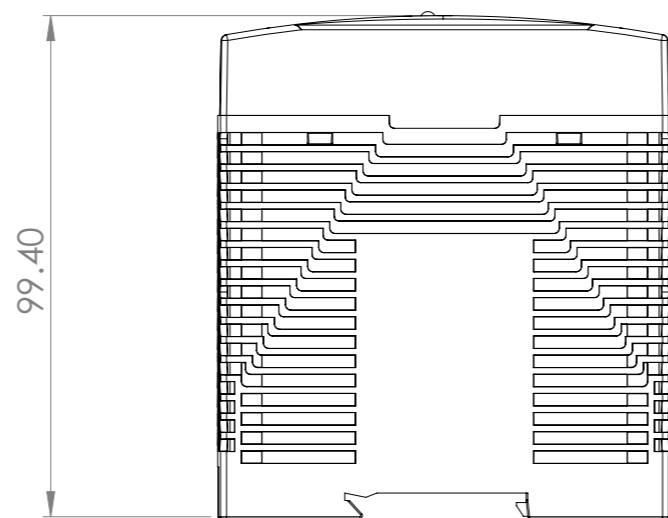
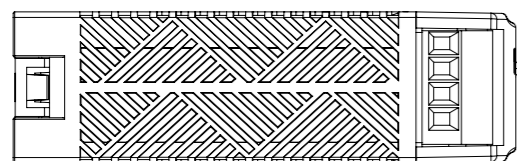
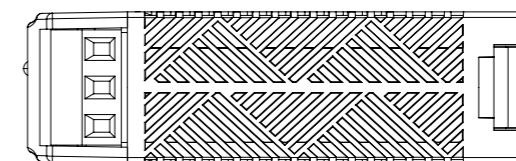
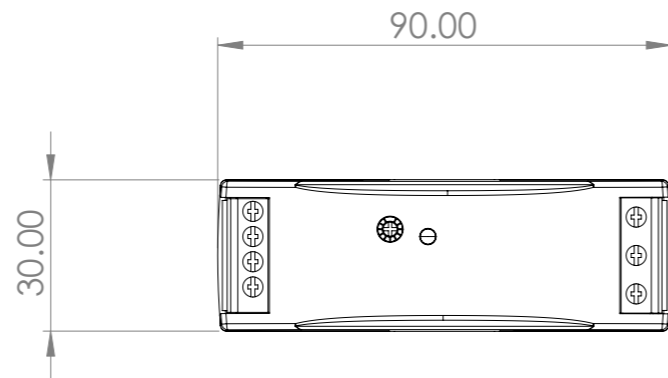
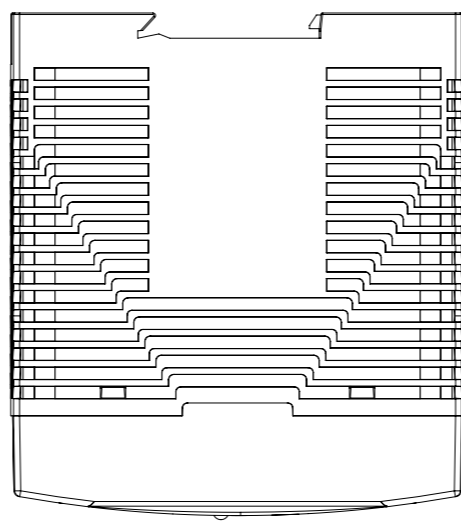


REVISION	DRN BY	DRN DATE	CHK BY	CHK DATE	CHANGE DESCRIPTION
01	AL	26/11/20	-	-	Initial drawing
-	-	-	-	-	-
-	-	-	-	-	-



99.40

DEBURR AND BREAK SHARP EDGES
DO NOT SCALE DRAWING

UNLESS OTHERWISE SPECIFIED:
DIMENSIONS ARE IN MILLIMETERS
TOLERANCES:
LINEAR: +/- 0.1
ANGULAR: +/- 0.5

DWG NO. NA		REVISION 01
TITLE: AMG2004A Dimensional Drawing		A3
FINISH: NA	MATERIAL: NA	SHEET 1 OF 1
Document is property of AMG Systems Ltd and must not be shared, copied or printed without prior consent.		SCALE: 1:1.5

