

THE AMG5800 SERIES



Single Channel Fibre Optic CCTV Transmission Solutions

The AMG5800 Series is designed for low cost, point-to-point single channel transmission of video and associated multiple low speed data / audio / alarm channels together with up to 100Mbps Ethernet Connectivity.

Multi-mode	Video up to 4x	Data 232/422/485	Contacts In/Out	10/100 x1	Temp -40°C~+74°C



[STANDALONE]



[RACKMOUNT]

/ OVERVIEW

The AMG5900 is designed for singlemode fibre and the AMG5800 is designed for multimode fibre.

The system provides high quality, low cost transmission of uncompressed video signals. The video is transmitted in full bandwidth digital format ensuring optimum transmission performance regardless of distance. As no compression of the video is used, there is no latency or compromise on quality.

The range has built in AGC (automatic gain control) with a wide dynamic range and 10-bit video digitisation to provide true 'plug & play' capability.

The products come in a variety of channel options in both standalone and rackmount formats to ensure maximum system versatility.

Available with 2 or 4 Low Speed Data Channels plus 4 or 8 Bi-directional Alarms.

Data expansion cards offer transmission of up to 4 additional data channels, 8 Bi-directional Alarm channels or 16 Uni-directional Alarm channels, and up to 16 bi-directional audio channels.

/ FEATURES

- Standalone and rackmount formats for minimum space usage
- Up to 100Mbps full bandwidth Ethernet
- 2 or 4 Low Speed Data Channels
- 4 or 8 Bi-directional Alarms
- Removable spring terminal data connectors
- 12-15V_{DC} supply voltage
- Plug in module for the AMG2000 Subrack range allowing use with other products in the AMG range
- Multiple data/audio options available via auxiliary data/audio channels
- Dual Fibre Operation

Specifications.

Video.

Compression	None, uncompressed
Input/output level	1V p/p, +3dB
Input/output impedance	75Ω unbalanced
Frequency Response	10Hz to 7MHz
Differential Gain	1%
Differential Phase	1°
Signal to Noise Ratio	67dB minimum
Video Connector	BNC
Video Standard	NTSC/PAL/SECAM
Video Sample Rate	28MHz

Ethernet.

Data rate	100Mb/s Full Duplex
-----------	---------------------

Data.

Data rate	Maximum 512kb/s
Interface options	RS485 / RS422 / RS232
Data connector	Removable spring terminal

Alarms.

Input level	1kΩ pull-up to +3V3
Output	
Interface	NPN, open collector
Current	250mA
Voltage	+24V _{DC}

Optical.

Wavelength	1310 nm
Fibre	Two Multimode Fibres
Optical connector type	SC/PC
Path loss	19dB
Path loss HP version	34dB

General.

Operating Temp.	-40°C to +74°C
Operating humidity	0 to 95% non-condensing
Indicators	Front panel LEDs
EMC	CE approved
MTBF	>250,000 hrs

Power requirements.

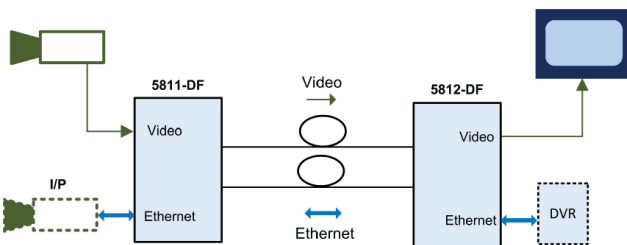
Input Voltage	12-24V _{DC}
Consumption	3W Max

Mechanical.

Weight	
Standalone	500g
Rackmount	550g
Dimensions	
Standalone	110 × 172 × 35 mm
Rackmount	3U x 7HP x 172 mm

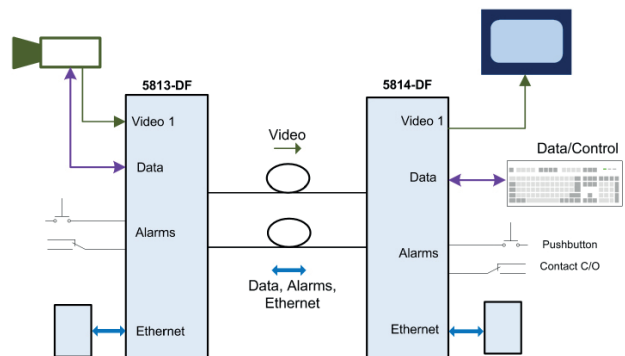
Example Topologies.

// Video + Future I/P Video



Analogue Video + future I/P video over Ethernet.

// PTZ Video + Ethernet + Alarms



PTZ Analogue video with control of camera over low speed RS485/422 data channel. Ethernet data channel. Alarms in and out.

Part Numbers.

TRANSMITTER Tx.

Standalone.

AMG5801-DF	Ethernet only Tx
AMG5803-DF	Ethernet + 2 Bi-directional Data + 8 Bi-directional alarms
AMG5811-DF	Video Tx + Ethernet
AMG5813-DF	Video Tx + Ethernet + 2 Bi-directional Data + 8 Bi-directional alarms
AMG5817-DF	Video Tx + Ethernet + 4 Bi-directional Data + 4 Bi-directional alarms

Rackmount.

AMG5801R-DF	Ethernet only Tx
AMG5803R-DF	Ethernet + 2 Bi-directional Data + 8 Bi-directional alarms
AMG5811R-DF	Video Tx + Ethernet
AMG5813R-DF	Video Tx + Ethernet + 2 Bi-directional Data + 8 Bi-directional alarms
AMG5817R-DF	Video Tx + Ethernet + 4 Bi-directional Data + 4 Bi-directional alarms

RECEIVER Rx.

Standalone.

AMG5802-DF	Ethernet only Rx
AMG5804-DF	Ethernet + 2 Bi-directional Data + 8 Bi-directional alarms
AMG5812-DF	Video Rx + Ethernet
AMG5814-DF	Video Rx + Ethernet + 2 Bi-directional Data + 8 Bi-directional alarms
AMG5818-DF	Video Rx + Ethernet + 4 Bi-directional Data + 4 Bi-directional alarms

Rackmount.

AMG5802R-DF	Ethernet only Rx
AMG5804R-DF	Ethernet + 2 Bi-directional Data + 8 Bi-directional alarms
AMG5812R-DF	Video Rx + Ethernet
AMG5814R-DF	Video Rx + Ethernet + 2 Bi-directional Data + 8 Bi-directional alarms
AMG5818R-DF	Video Rx + Ethernet + 4 Bi-directional Data + 4 Bi-directional alarms

Recommended PSUs.

Standalone	AMG2001	15Vdc @ 1A standalone PSU. For Indoor use only.
Rackmount	AMG2015	19" Subrack, 12 Slot c/w PSU
	AMG2015-DR	19" Subrack, 12 Slot c/w dual PSU

Proud to be a British
Manufacturer 